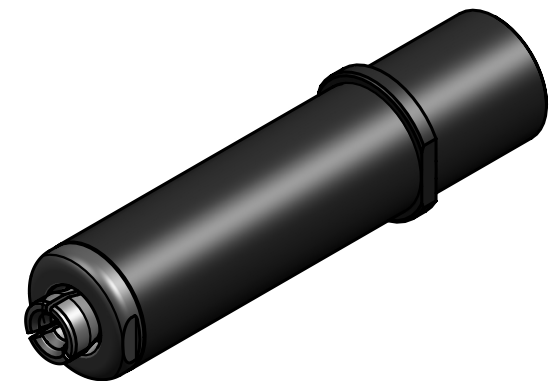
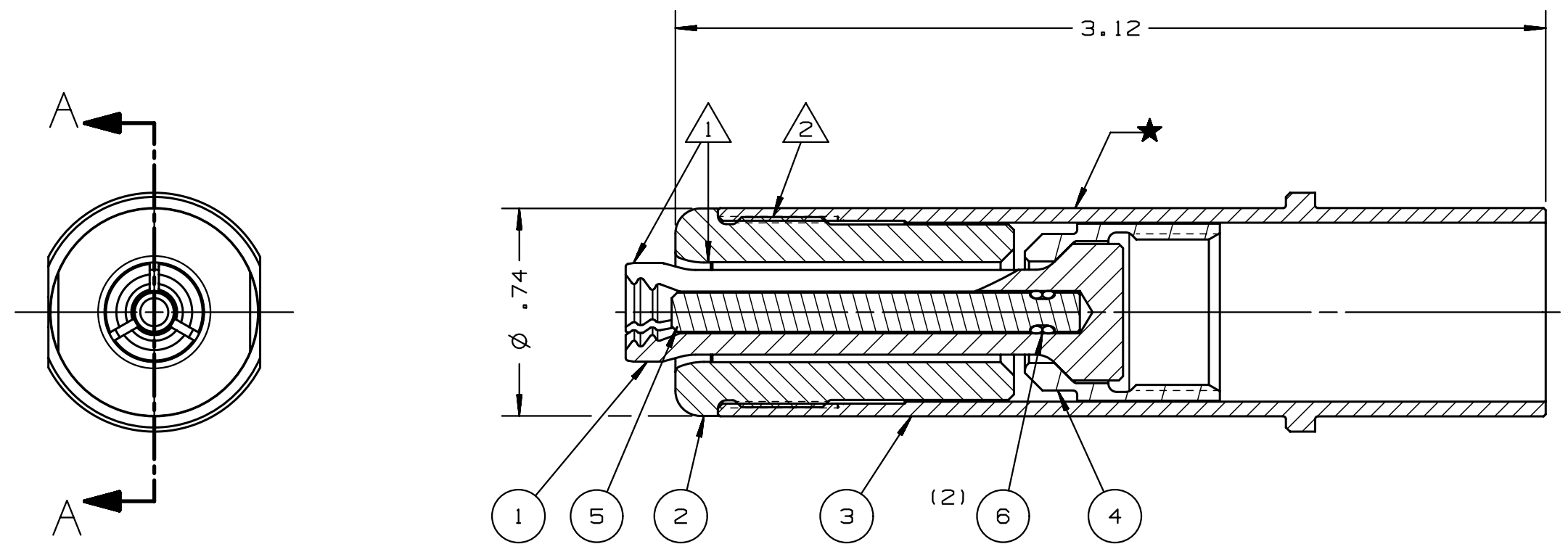


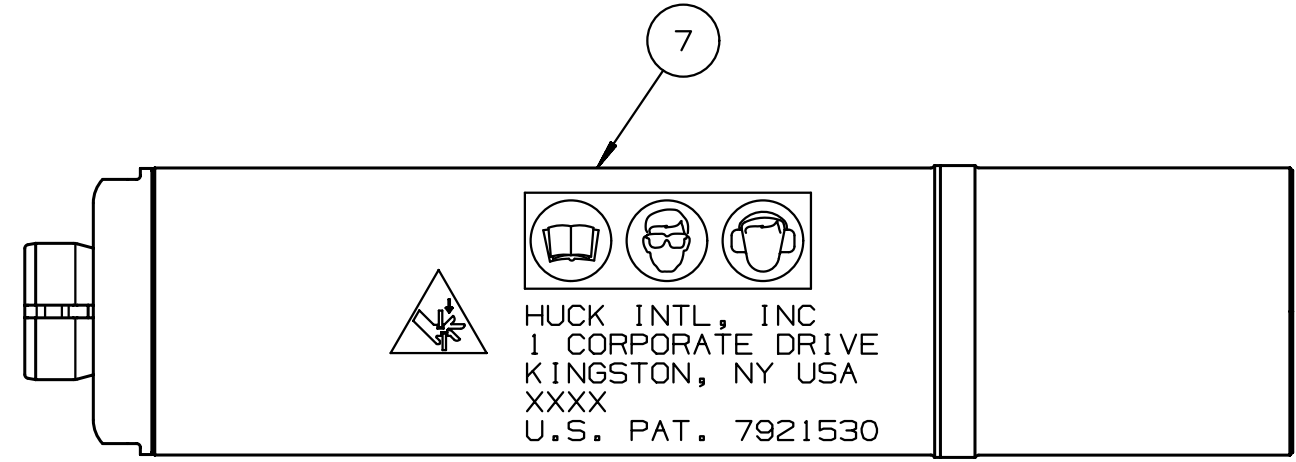
REV	DESCRIPTION	DET	DATE
A	RELEASE	HKS	12/08/15

NOTES:

- 1 APPLY ANTI-SEIZE LUBRICANT P/N: 508183 OR EQUIVALENT TO OUTSIDE OF PULLER AND INSIDE OF ANVIL.
- 2 APPLY LOCTITE 243 P/N: 508567 TO THESE THREADED JOINTS PER MFR'S INSTRUCTIONS DURING ASSEMBLY ON TOOL.



SECTION A - A



590273	1	STICKER, WARNING, MOVING PARTS	7
508529	2	O-RING .094 ID X .032 CS	6
130320	1	LIMIT ROD, PULLER, -08 BT	5
130319	1	PULLER CAP -08 BT	4
129113	1	HOLDER, ANVIL, 244BT	3
129112	1	ANVIL, 244BT, -08 BT	2
130318	1	PULLER, 244BT, -08	1
PART NO.	QTY	DESCRIPTION	ITEM

IDENTIFICATION PER SPEC 42-311: ★ PERMANENT		HUCK INTERNATIONAL, INC., I.S.D 1 CORPORATE DR KINGSTON, NEW YORK 12401	
ITAR/ECCN: EAR99		NOSE, -08 BT A1100 TOOL	
SCH B#: 8467.99.0190		FINAL ASSY: -	
HTS: 8467.99.0190		ENG: SMA	CK: DATE: 12/08/15 SCALE: 2:1
		B	99-7932L