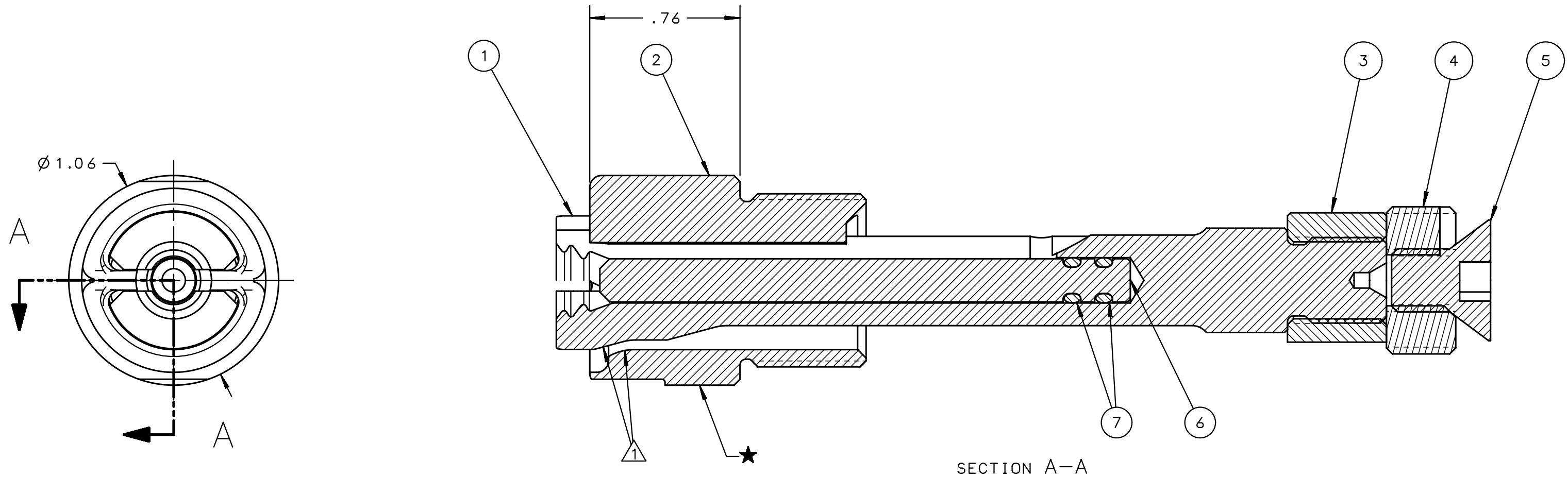


REV	DESCRIPTION	DET	DATE
A	RELEASE FORMERLY PR3307-99-7928CC	TRK	06/04/13
B	UPDATED VIEWS PER PULLER REVISION, UPDATED PART DESCRIPTIONS	HKS	2/23/16

NOTES:

- 1 APPLY ANTI-SEIZE LUBRICANT P/N: 508183 OR EQUIVALENT TO OUTSIDE OF PULLER AND INSIDE OF ANVIL
- 2 APPLY LOCTITE 242 P/N: 505316 TO THESE THREADED JOINTS PER MFR'S INSTRUCTIONS DURING ASSEMBLY ON TOOL
- 3 INCLUDE WARNING STICKER P/N: 590273. APPLY TO TOOL DURING ASSEMBLY



501009	2	O-RING AS568-005 C366Y D70	7
130333	1	LIMIT ROD, PULLER, -12 BT	6
504298	1	FHCS .31-18 X .50	5
130332	1	LOCKSREW, PULLER, SFBTT8	4
130331	1	NUT, PULLER, SFBTT8	3
130062	1	ANVIL, CUT, SFBTT8, -12 BT	2
130330	1	PULLER, CUT, SFBTT8, -12 BT	1
PART NO.	QTY	DESCRIPTION	ITEM

IDENTIFICATION PER SPEC 42-311: ★ PERMANENT		HUCK INTERNATIONAL, INC., I.S.D 1 CORPORATE DR KINGSTON, NEW YORK 12401	
ITAR/ECCN: EAR99		NOSE, CUT, -12 BT SFBTT8 TOOL	
SCH B#: 8467.99.0190		FINAL ASSY: -	
ENG: CHR	CK:	DATE: 2/11/13	SCALE: 2:1
HTS: 8467.99.0190		B	99-7928CC