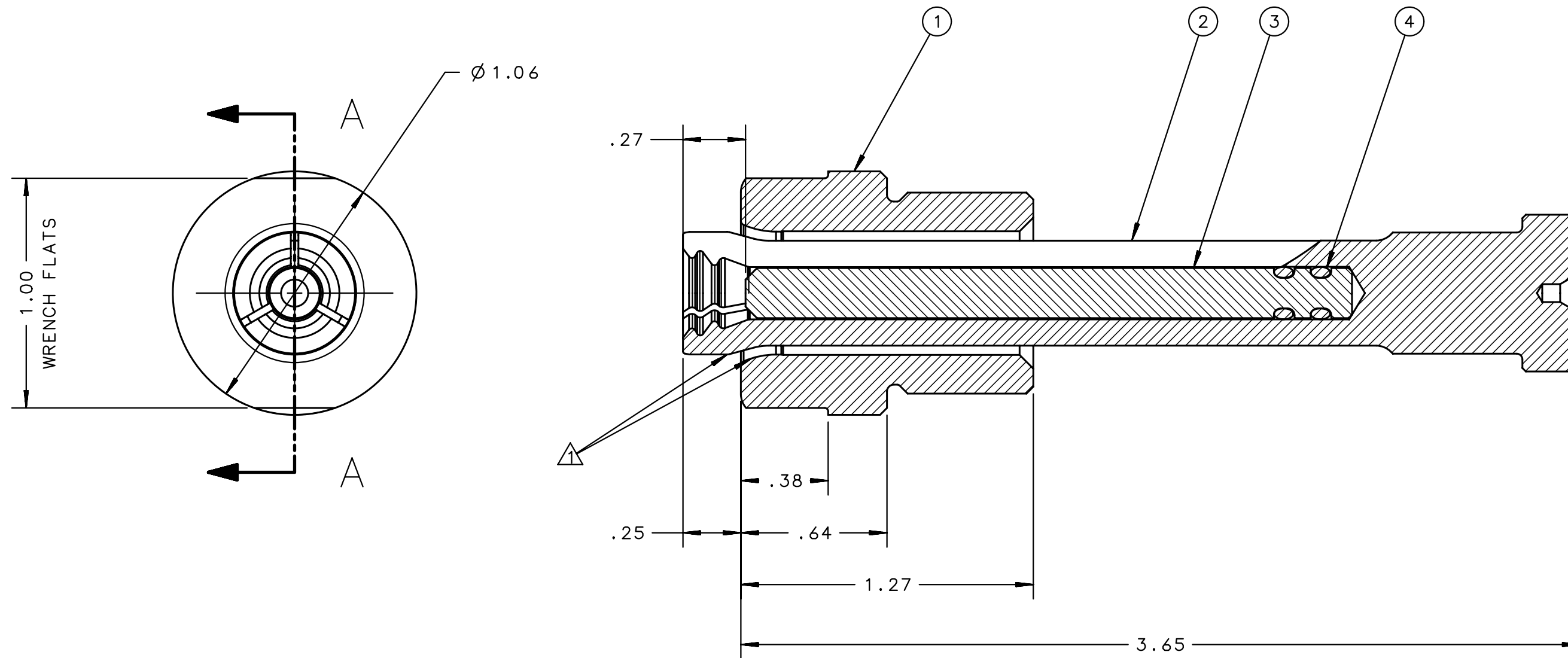


REV	DESCRIPTION	DET	DATE
A	RELEASE	SMA	08/04/14

NOTES:

- ① APPLY ANTI-SIEZE LUBRICANT P/N: 508183 OR EQUIVALENT TO OUTSIDE OF PULLER AND INSIDE OF ANVIL.
- ② SHIP WITH STICKER P/N 590513, AFFIX TO TOOL AT INSTALLATION



SECTION A-A

② 590513	1	STICKER, PINCH POINT	5
501009	2	O-RING	4
130261	1	LIMIT ROD, PULLER, -12 BT	3
129515	1	PULLER, SFBTT8, -12 BT	2
129516	1	ANVIL, SFBTT8, -12 BT	1
PART NO.	QTY	DESCRIPTION	ITEM

IDENTIFICATION PER SPEC 42-311: ★ PERMANENT	HUCK INTERNATIONAL, INC., I.S.D 1 CORPORATE DR KINGSTON, NEW YORK 12401		
ITAR/ECCN:	NOSE ASM, -12 BT (3/8") SFBTT8 TOOL		
SCH B#:	FINAL ASSY: SFBTT8		
HTS:	ENG: SMA	CK:	DATE: 08/04/14 SCALE: 2:1
	B	99-7928	