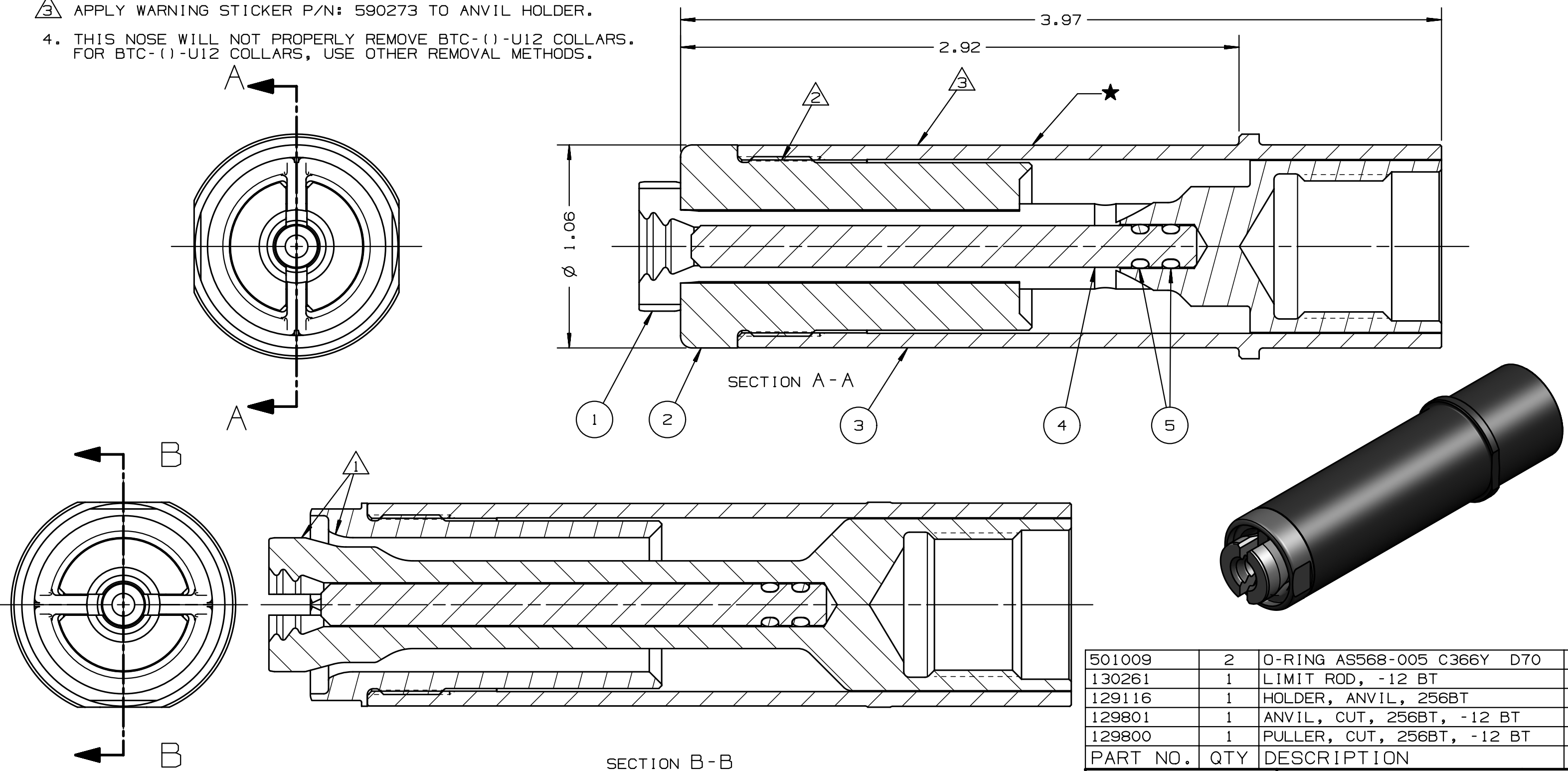


NOTES:

- ① APPLY ANTI-SEIZE LUBRICANT P/N: 508183 OR EQUIVALENT TO OUTSIDE OF PULLER AND INSIDE OF ANVIL.
- ② APPLY LOCTITE 242 P/N: 505316 TO THESE THREADED JOINTS PER MFR'S INSTRUCTIONS DURING ASSEMBLY ON TOOL.
- ③ APPLY WARNING STICKER P/N: 590273 TO ANVIL HOLDER.
- 4. THIS NOSE WILL NOT PROPERLY REMOVE BTC-()-U12 COLLARS. FOR BTC-()-U12 COLLARS, USE OTHER REMOVAL METHODS.

REV	DESCRIPTION	DET	DATE
A	RELEASE	TRK	2/2/11
B	ADDED NOTE 4, ITEM 4 (130261) & ITEM 5 (501009)	TRK	3/4/13
C	UPDATED VIEWS PER PULLER REVISION, UPDATED PART DESCRIPTIONS	HKS	2/23/16



PART NO.	QTY	DESCRIPTION	ITEM
501009	2	O-RING AS568-005 C366Y D70	5
130261	1	LIMIT ROD, -12 BT	4
129116	1	HOLDER, ANVIL, 256BT	3
129801	1	ANVIL, CUT, 256BT, -12 BT	2
129800	1	PULLER, CUT, 256BT, -12 BT	1

IDENTIFICATION PER SPEC 42-311: ★ PERMANENT		HUCK INTERNATIONAL, INC., I.S.D 1 CORPORATE DR KINGSTON, NEW YORK 12401	
ITAR/ECCN: EAR99		NOSE, CUT, -12 BT 256BT TOOL	
SCH B#: 8467.92.0090		FINAL ASSY:	
ENG: TRK	CK:	DATE: 2/2/11	SCALE: 2:1
HTS: 8467.92.0090	B	99-7924CC	