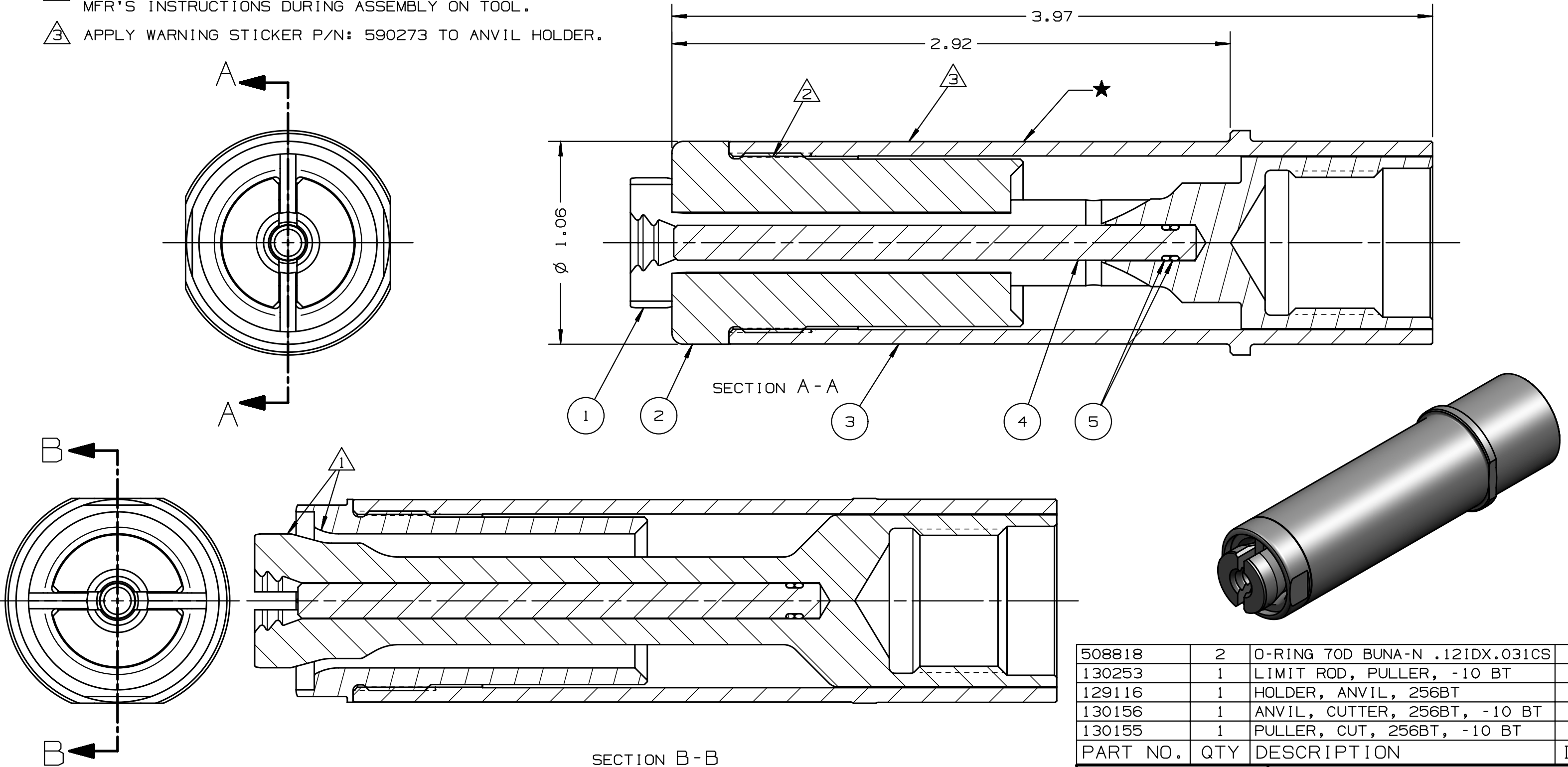


REV	DESCRIPTION	DET	DATE
A	RELEASE	TRK	4/22/13
B	UPDATED VIEWS PER PULLER REVISION, UPDATED PART DESCRIPTIONS	HKS	2/23/16

NOTES:

- ① APPLY ANTI-SEIZE LUBRICANT P/N: 508183 OR EQUIVALENT TO OUTSIDE OF PULLER AND INSIDE OF ANVIL.
- ② APPLY LOCTITE 242 P/N: 505316 TO THESE THREADED JOINTS PER MFR'S INSTRUCTIONS DURING ASSEMBLY ON TOOL.
- ③ APPLY WARNING STICKER P/N: 590273 TO ANVIL HOLDER.



508818	2	O-RING 70D BUNA-N .12IDX.031CS	5
130253	1	LIMIT ROD, PULLER, -10 BT	4
129116	1	HOLDER, ANVIL, 256BT	3
130156	1	ANVIL, CUTTER, 256BT, -10 BT	2
130155	1	PULLER, CUT, 256BT, -10 BT	1
PART NO.	QTY	DESCRIPTION	ITEM

IDENTIFICATION PER SPEC 42-311: ★ PERMANENT		HUCK INTERNATIONAL, INC., I.S.D 1 CORPORATE DR KINGSTON, NEW YORK 12401	
ITAR/ECCN: EAR99		NOSE, CUT, -10 BT 256BT TOOL	
SCH B#: 8467.99.0190		FINAL ASSY:	
ENG: TRK	CK:	DATE: 6/6/12	SCALE: 2:1
HTS: 8467.99.0190		B	99-7923CC