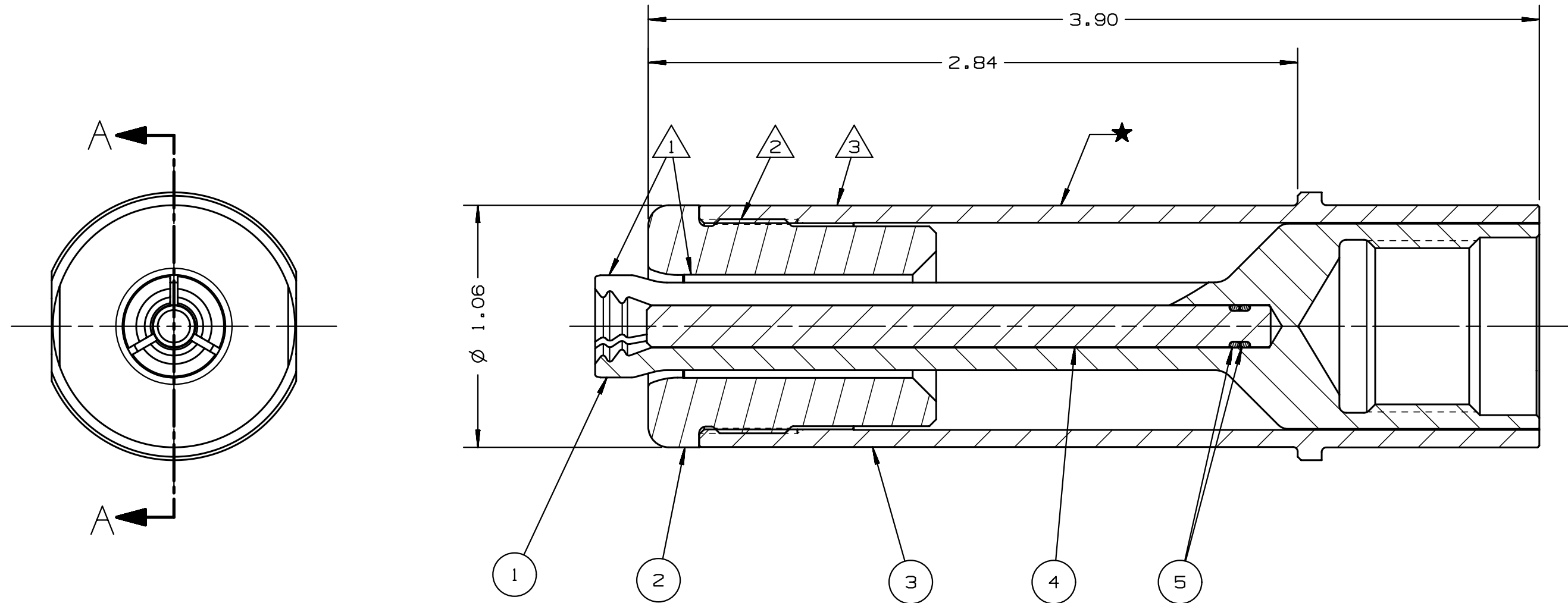


NOTES:

- ① APPLY ANTI-SEIZE LUBRICANT P/N: 508183 OR EQUIVALENT TO OUTSIDE OF PULLER AND INSIDE OF ANVIL.
- ② APPLY LOCTITE 242 P/N: 505316 TO THESE THREADED JOINTS PER MFR'S INSTRUCTIONS DURING ASSEMBLY ON TOOL.
- ③ APPLY WARNING STICKER P/N: 590273 TO ANVIL HOLDER.

REV	DESCRIPTION	DATE
A	RELEASE	1/14/10
B	ADDED 130253. (2) 508818	4/22/13



SECTION A - A

⑤	508818	2	O-RING. .125 I.D. X .031 C.S.	5
④	130253	1	PULLER STOP	4
③	129116	1	ANVIL HOLDER	3
②	129439	1	ANVIL, 5/16"	2
①	129438	1	PULLER	1
PART NO.	QTY	DESCRIPTION	ITEM	

IDENTIFICATION PER SPEC 42-311: ★ PERMANENT

ITAR: HUCK INTERNATIONAL, INC., I.S.D.
1 CORPORATE DR, P.O. BOX 2270
KINGSTON, NEW YORK 12401

ECCN: EAR99 NOSE ASSY, -10 (5/16") BOBTAIL
256BT TOOL

SCH B#: 8467.99.0190 DET: HKS CK: DATE: 1/14/10 SCALE: 2:1

HTS: 8467.99.0190 **B** **99-7923**