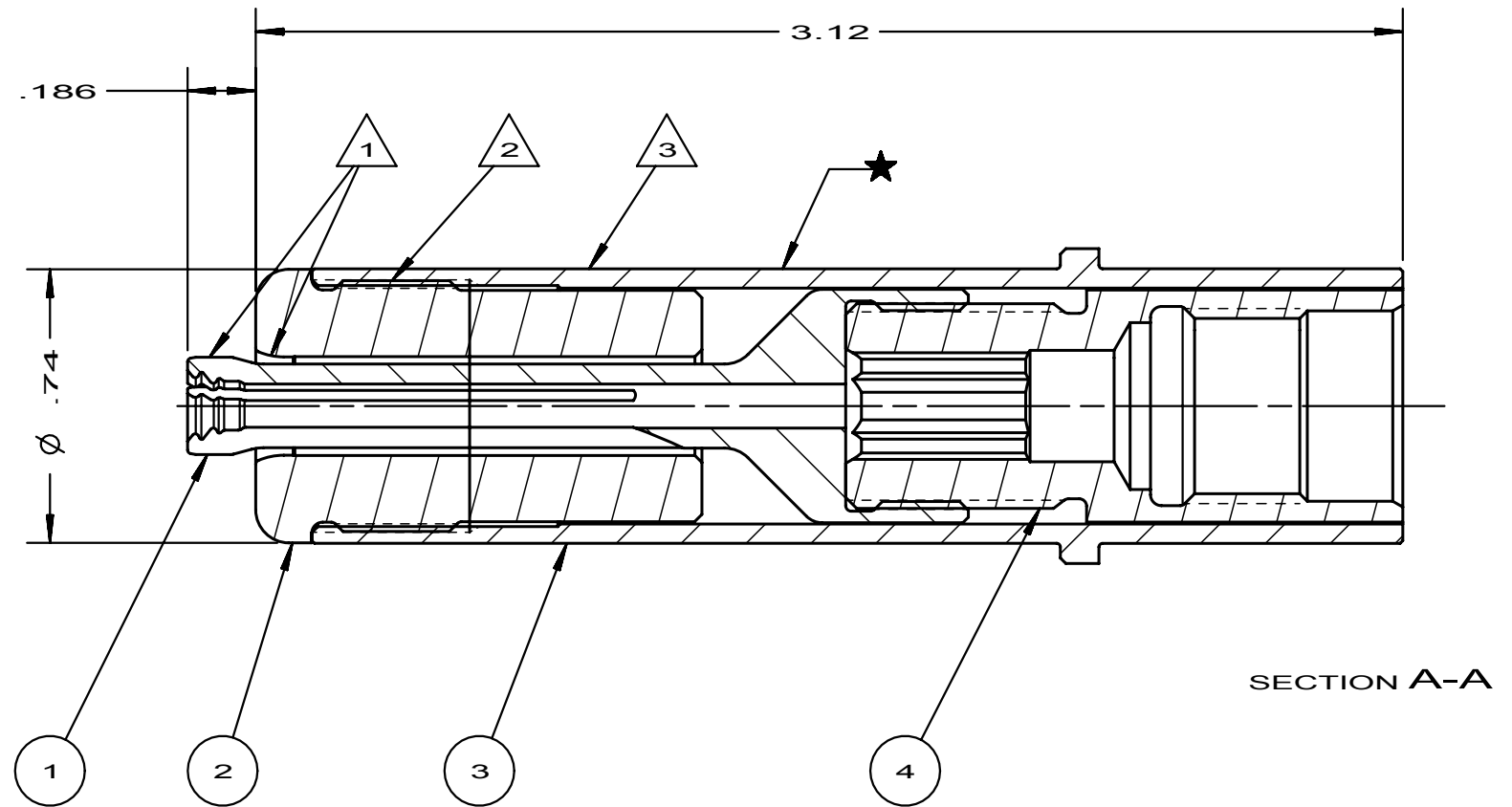
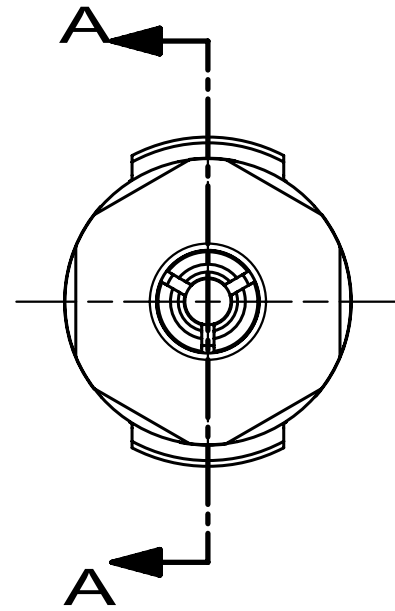


NOTES:

- 1 APPLY ANTI-SEIZE LUBRICANT P/N: 508183 OR EQUIVALENT TO OUTSIDE OF PULLER AND INSIDE OF ANVIL.
- 2 APPLY LOCTITE 242 P/N: 505316 TO THESE THREADED JOINTS PER MFR'S INSTRUCTIONS DURING ASSEMBLY ON TOOL.
- 3 APPLY WARNING STICKER P/N: 590273 TO ANVIL.

REV	DESCRIPTION	DATE
A	RELEASE	2/13/09



124360	1	SPINDLE EXTENSION	4
129113	1	ANVIL HOLDER	3
129124	1	ANVIL, 3/16"	2
129125	1	PULLER	1
PART NO.	QTY	DESCRIPTION	ITEM

IDENTIFICATION PER SPEC 42-311: ★ PERMANENT	
ITAR:	HUCK INTERNATIONAL, INC., I.S.D. 1 CORPORATE DR, P.O. BOX 2270 KINGSTON, NEW YORK 12401
ECCN: EAR99	NOSE ASSY, 3/16" BOBTAIL 244BT TOOL
SCH B#: 8467.99.0190	DET: TRK CK: DATE: 2/13/09 SCALE: 2:1
HTS: 8467.99.0190	B 99-7921