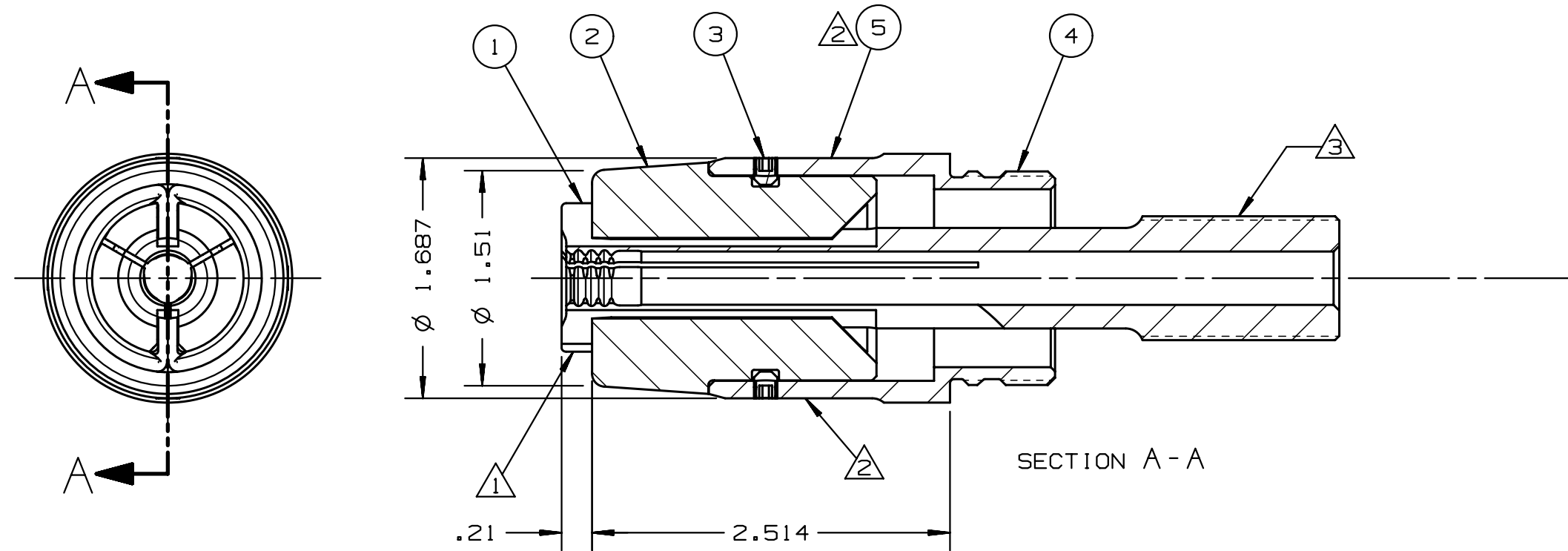


NOTES:

- ① TO ASSEMBLE:
 - A) SCREW PULLER (P/N:130017) INTO THE END CAP OF TOOL UNTIL IT BOTTOMS (LEFT HAND THREAD)
 - B) APPLY ANTI-SIEZE LUBRICANT P/N:508183 TO OUTSIDE OF PULLER-130017
 - C) SLIDE ANVIL HOLDER(P/N:129331) OVER PULLER AND THREAD INTO TOOL'S PISTON
 - D) ALIGN ANVIL (P/N:129977) TO SLOTS IN PULLER, THEN SLIDE INTO ANVIL HOLDER(P/N:129331) TIGHTEN FOUR SET SCREWS(P/N:501781)
- ② APPLY WARNING STICKER P/N:590273 TO ANVIL HOLDER. DO NOT PERMIT STICKER TO OVERLAP ONTO ANVIL
- ③ LEFT HAND THREAD

REV	DESCRIPTION	DET	DATE
A	RELEASE	HKS	9/8/11
B	REMOVED 128807 LOCK NUT	CHR	10/04/13
C	REMOVED LOCKNUT/LOCTITE NOTE; REARRANGED NOTE 1; RENAMED DESCRIPTION/TITLE	HKS	08/05/15



PART NO.	QTY	DESCRIPTION	ITEM
590273	1	WARNING STICKER	5
129331	1	HOLDER, ANVIL, SF20, 14MM BT	4
501781	4	SSCR SOC FLT #08-32 X .19	3
129977	1	ANVIL, CUT, BTT25, -14MM BT	2
130017	1	PULLER, CUT, SF20, 14MM BT	1

IDENTIFICATION PER SPEC 42-311: ★ PERMANENT		HUCK INTERNATIONAL, INC., I.S.D 1 CORPORATE DR KINGSTON, NEW YORK 12401	
ITAR/ECCN: EAR99		NOSE, CUT, SF20, 14MM BT	
SCH B#: 8467.99.0190		FINAL ASSY: -	
ENG: TRK	CK:	DATE: 9/8/11	SCALE: 1:1
HTS: 8467.99.0190		B	99-7884CX