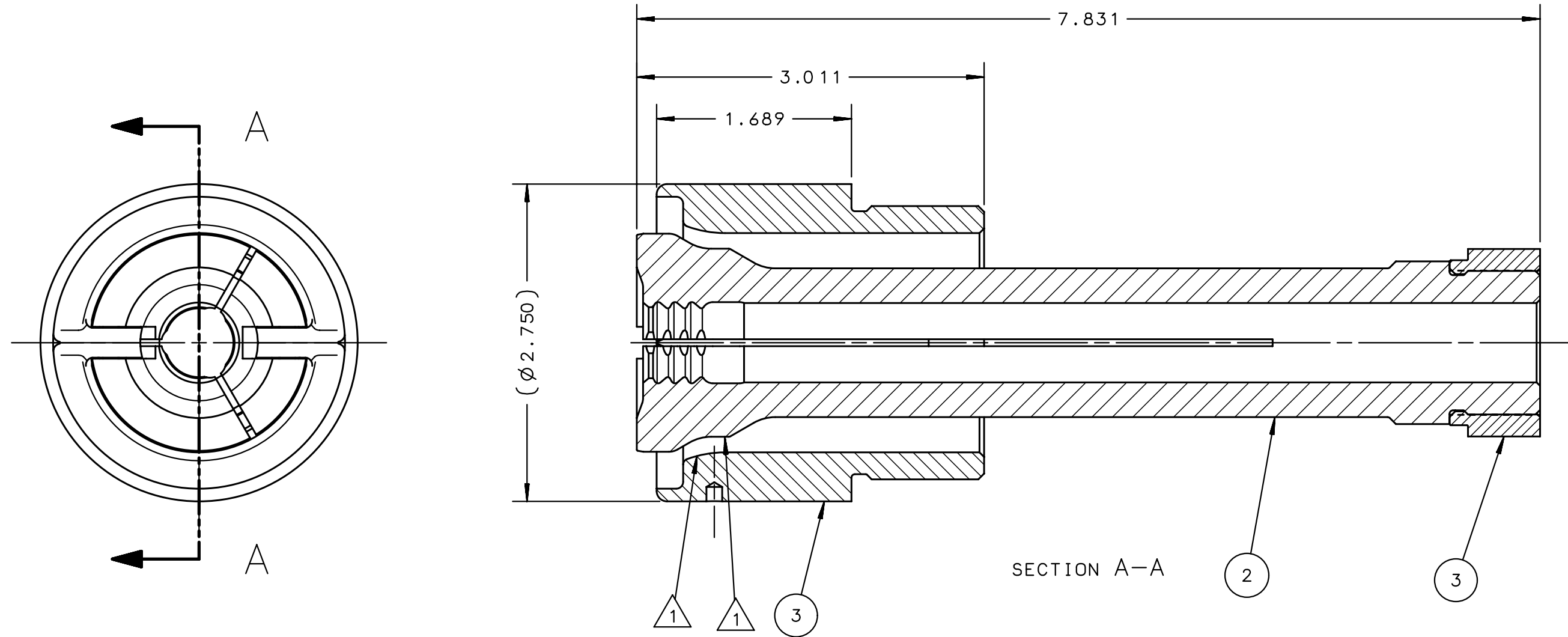


REV	DESCRIPTION	DET	DATE
A	RELEASE	CHR	04/16/14

NOTES:

1 APPLY ANTI-SEIZE LUBRICANT P/N: 505565 TO OUTSIDE OF PULLER AND INSIDE OF ANVIL



130641	1	RETAINER, PULLER	3
130568	1	PULLER	2
130567	1	ANVIL, COLLAR CUTTER	1
PART NO.	QTY	DESCRIPTION	ITEM

IDENTIFICATION PER SPEC 42-311: ★ PERMANENT		HUCK INTERNATIONAL, INC., I.S.D 1 CORPORATE DR KINGSTON, NEW YORK 12401	
ITAR/ECCN: EAR99		NOSE, CUTTER, SF46 BT -32	
SCH B#: 8467.99.0190		FINAL ASSY: SF46	
HTS: 8467.99.0190		ENG: CHR	CK: DATE: 04/16/14 SCALE: 1:1

B **99-7867CX**