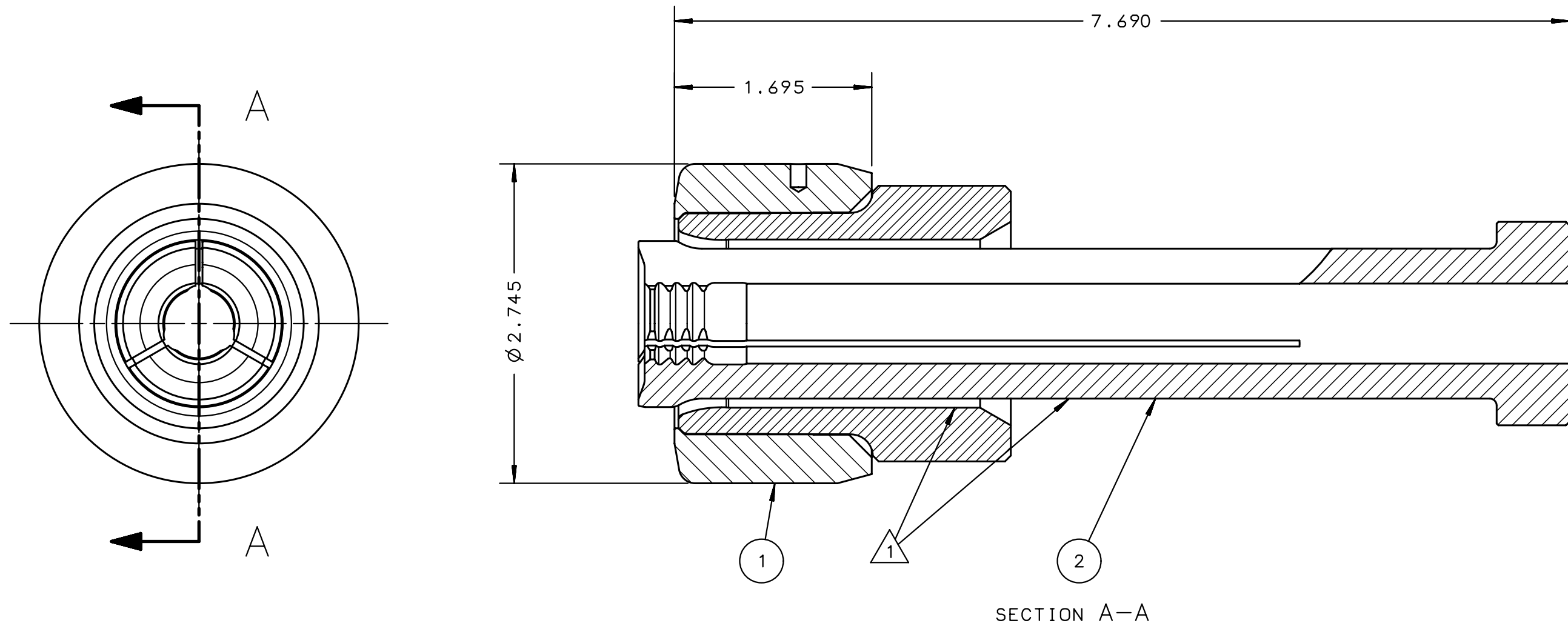


REV	DESCRIPTION	DET	DATE
A	RELEASE	EL	08/29/13

NOTES:

① APPLY ANTI-SEIZE LUBRICANT P/N: 505565 TO OUTSIDE OF PULLER AND INSIDE OF ANVIL



130098	1	PULLER	2
129411	1	ANVIL ASSEMBLY	1
PART NO.	QTY	DESCRIPTION	ITEM

IDENTIFICATION PER SPEC 42-311: ★ PERMANENT	HUCK INTERNATIONAL, INC., I.S.D 1 CORPORATE DR KINGSTON, NEW YORK 12401		
ITAR/ECCN: EAR99	NOSE ASSEMBLY, 1" BOBTAIL SF46		
SCH B#: 8467.99.0190	FINAL ASSY: -		
HTS: 8467.99.0190	ENG: EL	CK:	DATE: 8/30/13 SCALE: 1:1
	<b>B</b>	<b>99-7867</b>	