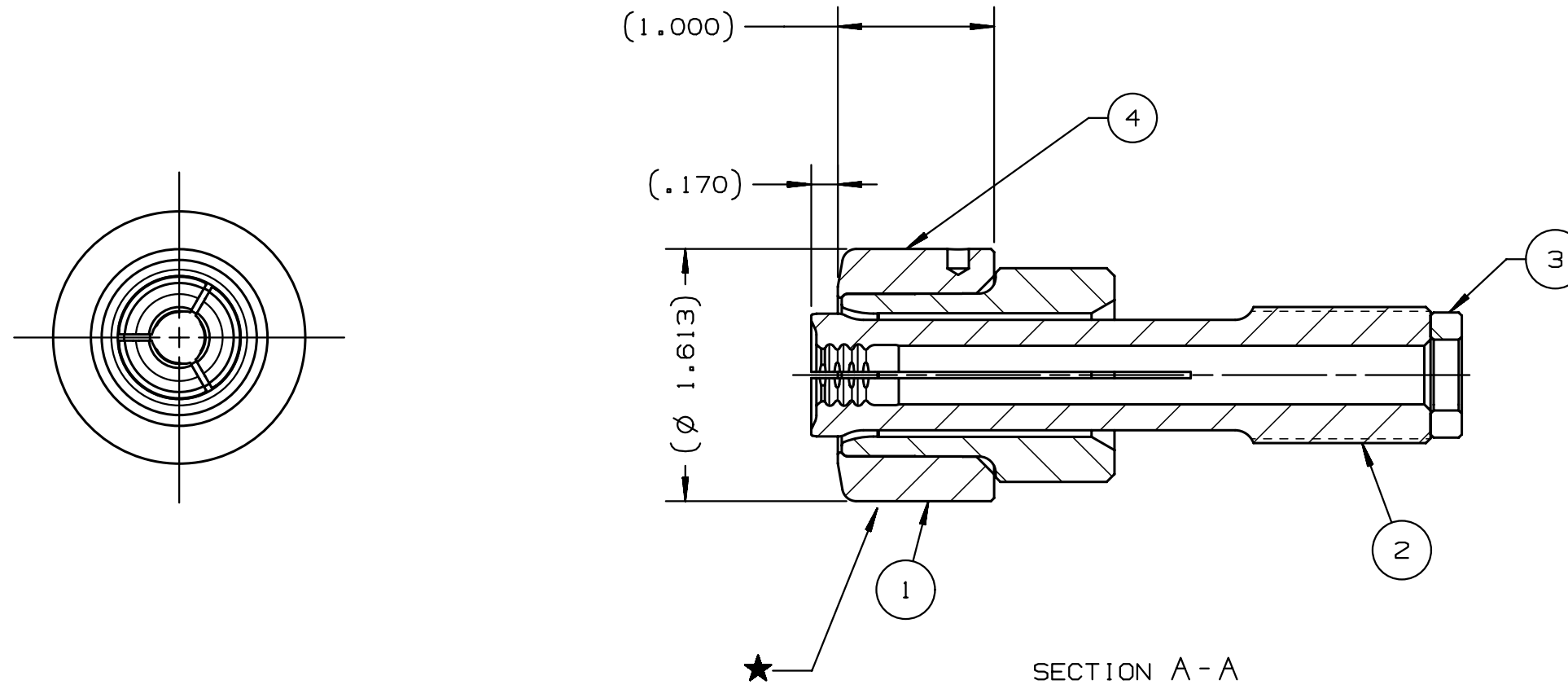


REV	DESCRIPTION	DET	DATE
A	RELEASE	MJK	06/03/13



590516	1	WARNING STICKER	4
130327	1	SPACER	3
129330	1	PULLER	2
128923	1	ANVIL ASSEMBLY	1
PART NO.	QTY	DESCRIPTION	ITEM

IDENTIFICATION PER SPEC 42-311: ★ PERMANENT	HUCK INTERNATIONAL, INC., I.S.D 1 CORPORATE DR KINGSTON, NEW YORK 12401		
ITAR/ECCN: EAR99	NOSE ASSEMBLY, 14MM BOBTAIL		
SCH B#: 8467.99.0190	FINAL ASSY: SFBTT15 TOOL		
HTS: 8467.99.0190	ENG: CHR	CK:	DATE: 06/03/13 SCALE: 1:1
	B	99-7862	