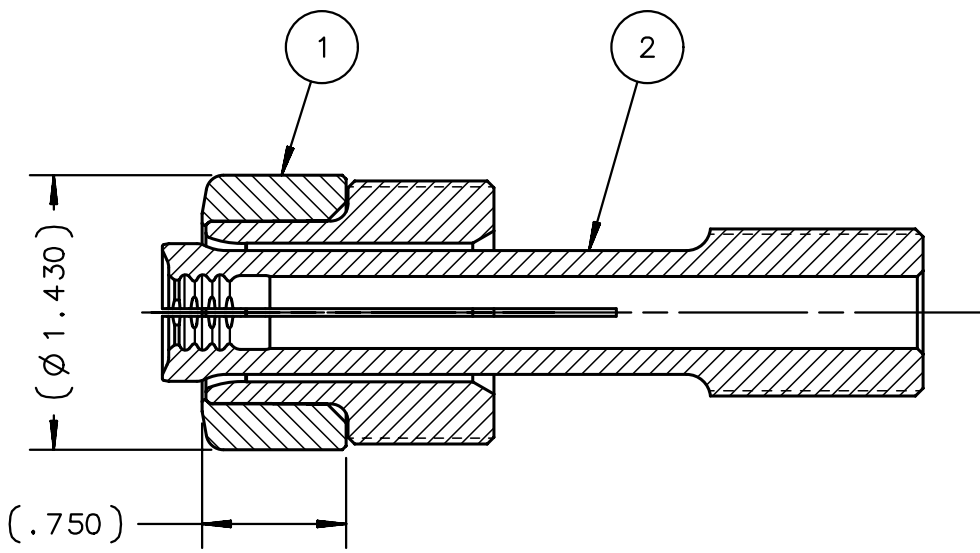
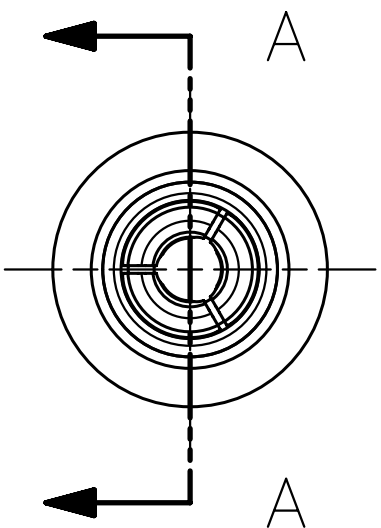
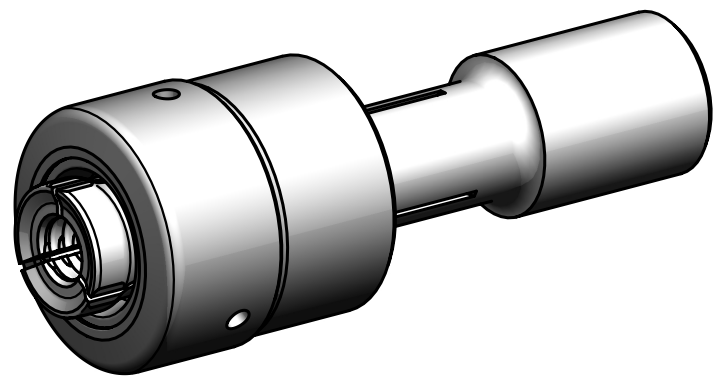


REV	DESCRIPTION	DET	DATE
A	RELEASE	MJK	02/20/13



SECTION A-A



129314	1	1/2" PULLER	2
129315-1	1	1/2" ANVIL ASSEMBLY	1
PART NO.	QTY	DESCRIPTION	ITEM

IDENTIFICATION PER SPEC 42-311: ★ PERMANENT	HUCK INTERNATIONAL, INC., I.S.D 1 CORPORATE DR KINGSTON, NEW YORK 12401		
ITAR/ECCN: EAR99	1/2 NOSE ASSEMBLY SFBTT15 BOBTAIL TOOL		
SCH B#: 8467.99.0190	FINAL ASSY: SFBTT15		
	ENG: CHR	CK:	DATE: 10/07/12 SCALE: 1:1
HTS: 8467.99.0190	<b>A</b>	<b>99-7861</b>	

FORM KE104 Rev E By accepting this proprietary Huck drawing, recipient agrees not to reproduce or disclose any part thereof to any other without the written permission of Huck International, Inc.