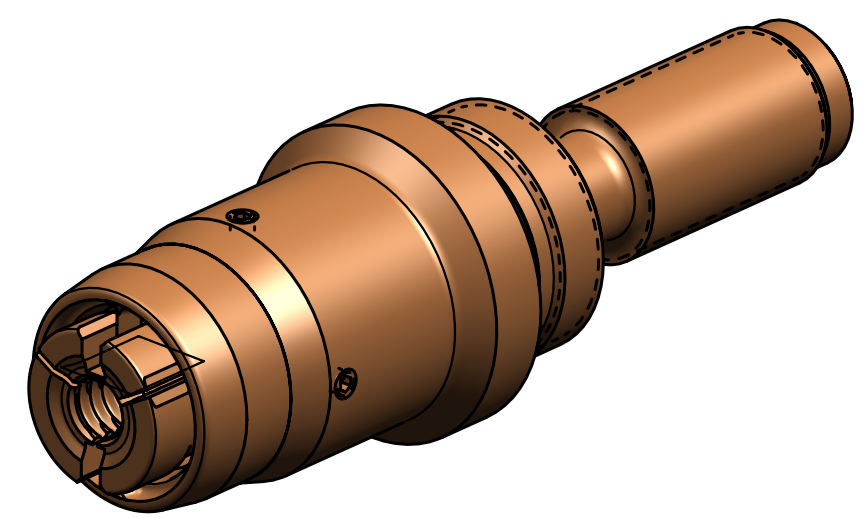
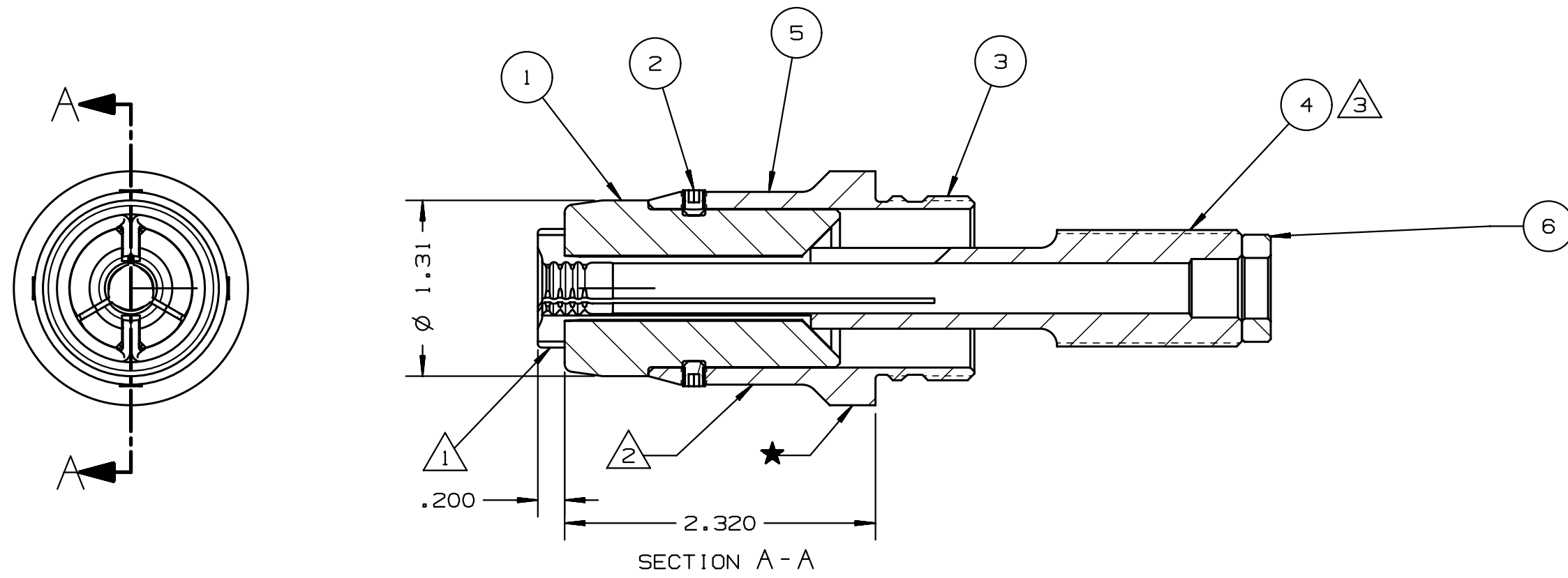


REV	DESCRIPTION	DET	DATE
A	RELEASE	CHR	07/10/14

NOTES:

- 1 TO ASSEMBLE:  
 A) APPLY ANTI-SEIZE LUBRICANT P/N: 508183 TO OUTSIDE OF PULLER-130036.  
 B) THREAD LOCKNUT ON PULLER AS SHOWN.  
 C) APPLY LOCTITE 242 P/N: 505316 TO THREAD OF PULLER-130036 AND THREAD INTO TOOL'S END CAP.  
 D) INSTALL ANVIL HOLDER-130689 OVER PULLER AND THREAD INTO TOOL'S PISTON.  
 E) ALIGN ANVIL-130037 WITH GROOVES IN PULLER-130036. PUSH ANVIL-129975 INSIDE OF ANVIL-HOLDER-130689 AND INSTALL (4) SET SCREWS-501781 USING VIBRA-TITE P/N: 505125.
- 2 APPLY WARNING STICKER P/N: 590516 TO ANVIL HOLDER. DO NOT PERMIT STICKER TO OVERLAP ONTO ANVIL.
- 3 LEFT HAND THREAD



PART NO.	QTY	DESCRIPTION	ITEM
130 690	1	SPACER	6
590 516	1	WARNING STICKER	5
1300 36	1	PULLER, COLLAR SPLITTER	4
130 689	1	ANVIL HOLDER	3
50 1781	4	SSCR, #8-32 X 3/16	2
129975	1	ANVIL, COLLAR SPLITTER	1

IDENTIFICATION PER SPEC 42-311: ★ PERMANENT		HUCK INTERNATIONAL, INC., I.S.D 1 CORPORATE DR KINGSTON, NEW YORK 12401	
ITAR/ECCN: EAR99		ASSY, MBT-12(12MM) SPLITTER SFBTT15 TOOL	
SCH B#: 8467.99.0190		FINAL ASSY: -	
ENG: CHR	CK:	DATE: 07/10/14	SCALE: 1:1

HTS: 8467.99.0190 **B** **99-7860CX**