

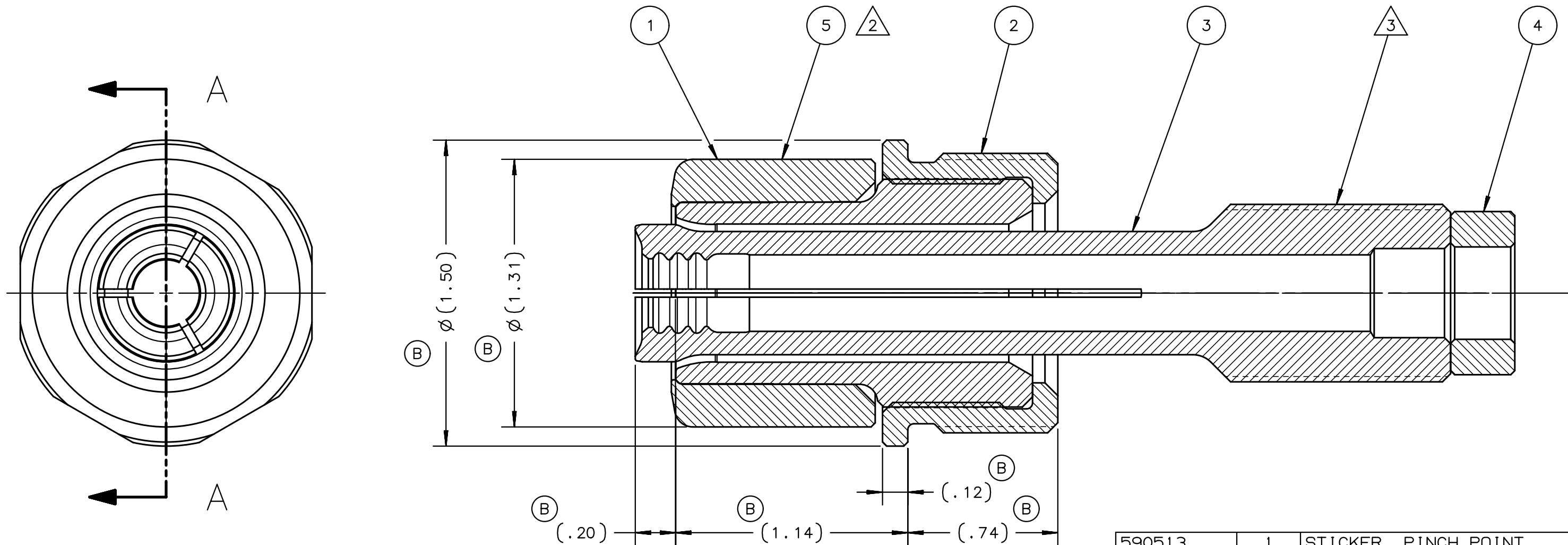
| REV | DESCRIPTION | DET | DATE |
|-----|--|-----|----------|
| A | RELEASE | MJK | 02/20/13 |
| B | ADDED/UPDATED REFERENCE DIMS, ADDED NOTES, DWG SIZE B WAS A | SMA | 01/13/15 |

(B) NOTES:

- 1 TO ASSEMBLE:
 - A) PLACE SPACER-130205 INTO TOOL'S END CAP.
 - B) APPLY LOCTITE 243-508567 TO THREAD OF PULLER-128929 AND THREAD INTO TOOL'S END CAP.
 - C) APPLY LOCTITE 243-508567 TO THREAD OF ANVIL-128759 AND THREAD INTO ADAPTER-130206.
 - D) APPLY ANTI-SEIZE LUBRICANT P/N: 508183 TO OUTSIDE OF PULLER-128929.
 - E) APPLY LOCTITE 243-508567 TO THREAD OF ADAPTER-130206, INSTALL ANVIL & ADAPTER ASM OVER PULLER-128929 AND THREAD INTO TOOL'S PISTON.

2 APPLY WARNING STICKER P/N: 590513 TO ANVIL-128759.

3 LEFT HAND THREAD



SECTION A-A

| PART NO. | QTY | DESCRIPTION | ITEM |
|----------|-----|-------------------------|------|
| 590513 | 1 | STICKER, PINCH POINT | 5 |
| 130205 | 1 | SPACER, PULLER, 12MM BT | 4 |
| 128929 | 1 | PULLER, 12MM | 3 |
| 130206 | 1 | ADAPTER, ANVIL, 12MM BT | 2 |
| 128759 | 1 | ANVIL ASM, 12MM BT | 1 |

| | | | |
|---|-----|---|------------|
| IDENTIFICATION PER SPEC 42-311: ★ PERMANENT | | HUCK INTERNATIONAL, INC., I.S.D 1 CORPORATE DR KINGSTON, NEW YORK 12401 | |
| ITAR/ECCN: EAR99 | | NOSE, 12MM BT SFBTT15 TOOL | |
| SCH B#: 8467.99.0190 | | FINAL ASSY: SFBTT15 | |
| ENG: CHR | CK: | DATE: 10/07/12 | SCALE: 2:1 |
| HTS: 8467.99.0190 | | B 99-7860 | |