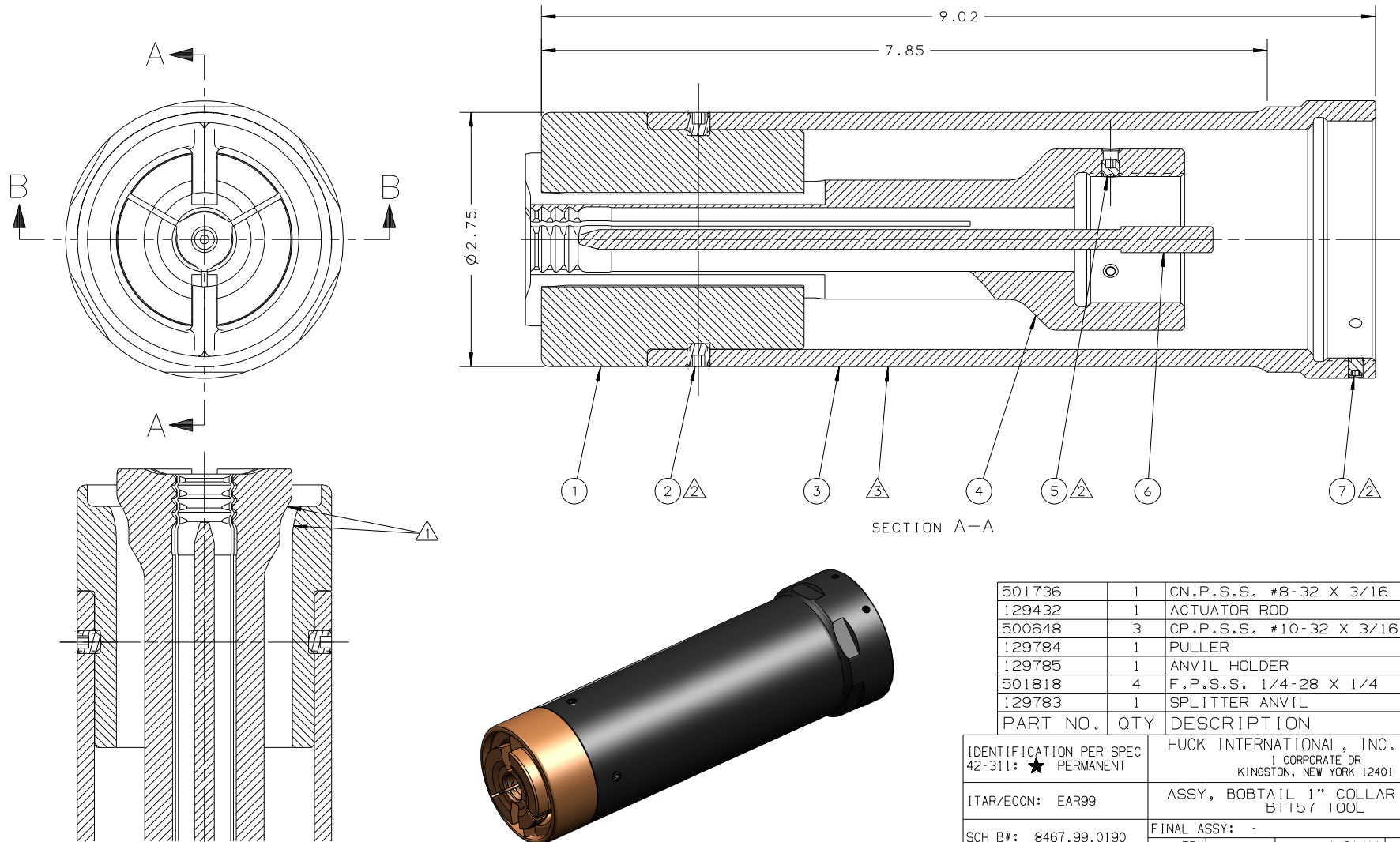


NOTES:

- ⚠️ APPLY ANTISEIZE LUBRICANT P/N: 508183 TO OUTSIDE OF PULLER AND INSIDE OF ANVIL.
- ⚠️ APPLY VIBRA-TITE P/N: 505125 TO SET SCREW THREADS PER MFR'S INSTRUCTIONS.
- ⚠️ APPLY WARNING STICKER P/N: 590273 TO ANVIL HOLDER. DO NOT PERMIT STICKER TO OVERLAP ANVIL.

REV	DESCRIPTION	DET	DATE
A	RELEASE	TRK	1/31/11



PART NO.	QTY	DESCRIPTION	ITEM
501736	1	CN.P.S.S. #8-32 X 3/16	7
129432	1	ACTUATOR ROD	6
500648	3	CP.P.S.S. #10-32 X 3/16	5
129784	1	PULLER	4
129785	1	ANVIL HOLDER	3
501818	4	F.P.S.S. 1/4-28 X 1/4	2
129783	1	SPLITTER ANVIL	1

IDENTIFICATION PER SPEC 42-311: ★ PERMANENT		HUCK INTERNATIONAL, INC., I.S.D 1 CORPORATE DR KINGSTON, NEW YORK 12401	
ITAR/ECCN: EAR99		ASSY, BOBTAIL 1" COLLAR CUTTER BT757 TOOL	
SCH B#: 8467.99.0190		FINAL ASSY: -	
ENG: TRK	DATE: 1/31/11	SCALE: 1:1	
HTS: 8467.99.0190		B	99-7857CC

SECTION B-B