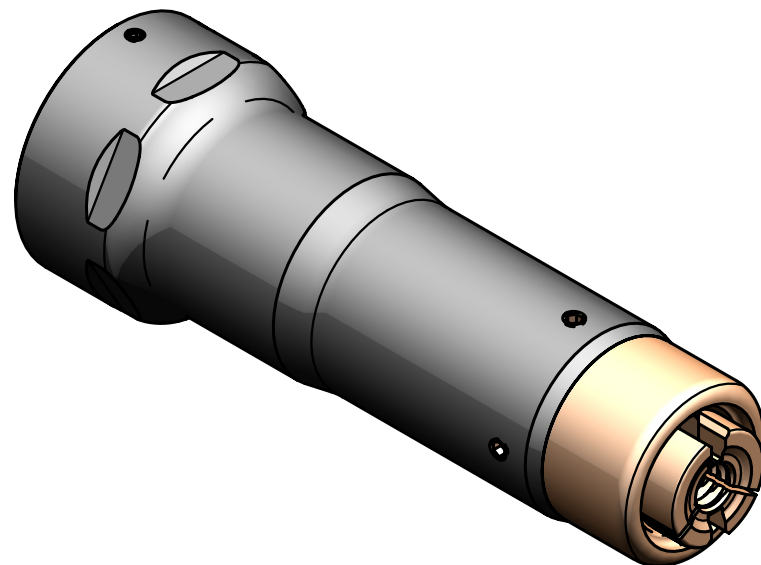
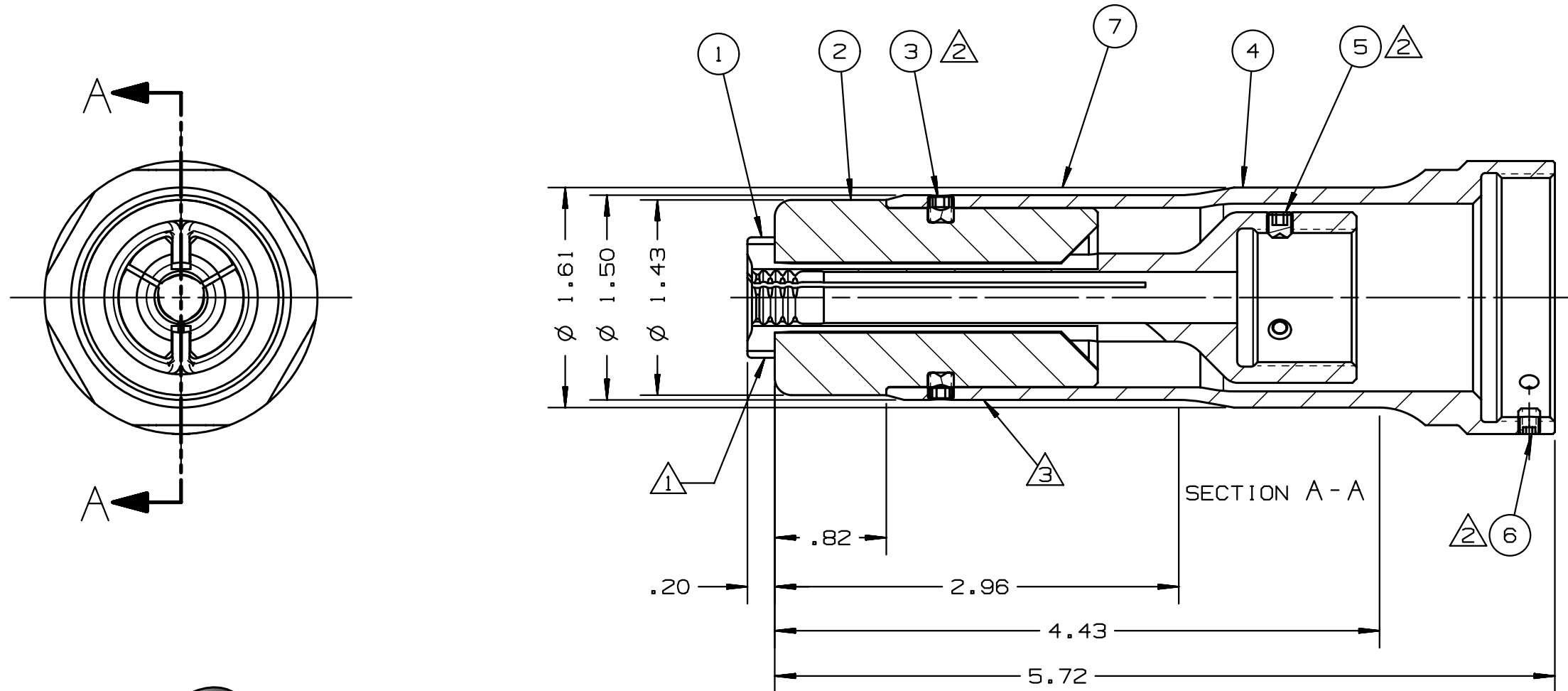


REV	DESCRIPTION	DET	DATE
A	RELEASE	HKS	9/8/11

NOTES:

- ① APPLY ANTI-SEIZE LUBRICANT P/N: 508183 TO OUTSIDE OF PULLER
- ② APPLY VIBRA-TITE P/N: 505125 TO SET SCREW THREADS PER MFR'S INSTRUCTIONS.
- ③ APPLY WARNING STICKER P/N: 590273 TO ANVIL HOLDER. DO NOT PERMIT STICKER TO OVERLAP ONTO ANVIL.



PART NO.	QTY	DESCRIPTION	ITEM
590273	1	WARNING STICKER	7
501736	1	C.P.S.S. #8-32 X 3/16	6
501920	3	C.P.S.S. #10-32 X 3/16	5
129092	1	ANVIL HOLDER, COLLAR SPLITTER	4
502017	4	F.P.S.S. #10-32 X 3/16	3
129969	1	ANVIL, COLLAR SPLITTER	2
129970	1	PULLER, COLLAR SPLITTER	1

IDENTIFICATION PER SPEC 42-311: ★ PERMANENT		HUCK INTERNATIONAL, INC., I.S.D 1 CORPORATE DR KINGSTON, NEW YORK 12401	
ITAR/ECCN: EAR99		ASSY, BT-16(1/2") COLLAR SPLITTER BTT25 TOOL	
SCH B#: 8467.99.0190		FINAL ASSY: -	
ENG: TRK	CK:	DATE: 9/8/11	SCALE: 1:1
HTS: 8467.99.0190		B 99-7855CX	