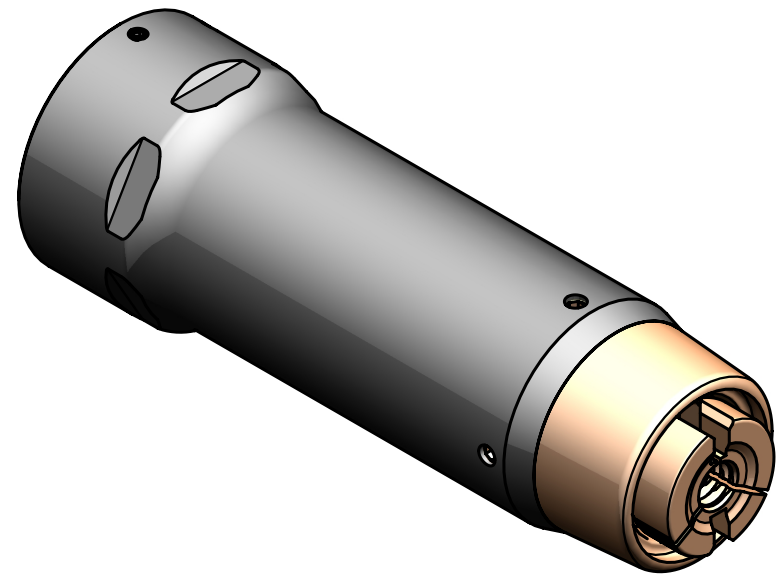
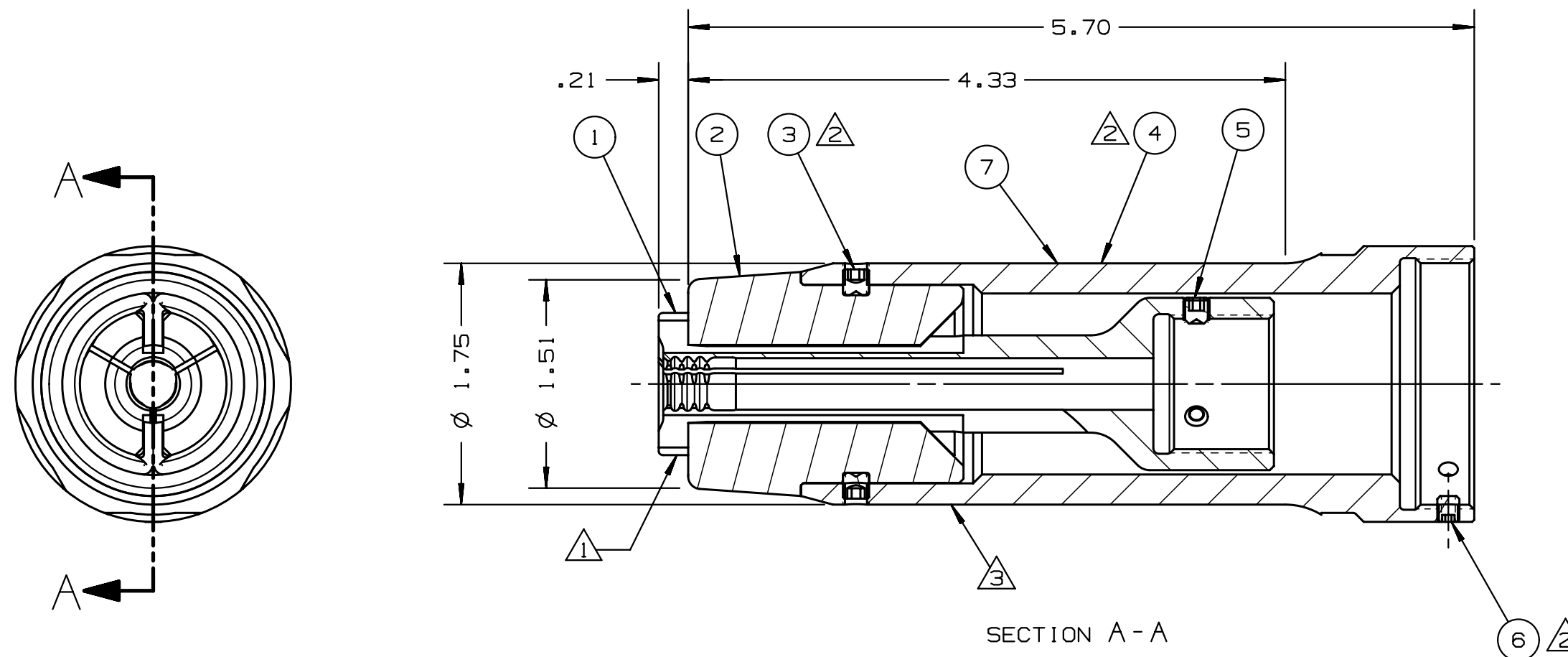


REV	DESCRIPTION	DET	DATE
A	RELEASE	HKS	9/8/11

NOTES:

- ① APPLY ANTI-SEIZE LUBRICANT P/N: 508183 TO OUTSIDE OF PULLER.
- ② APPLY VIBRA-TITE P/N: 505125 TO SET SCREW THREADS PER MFR'S INSTRUCTIONS.
- ③ APPLY WARNING STICKER P/N: 590273 TO ANVIL HOLDER. DO NOT PERMIT STICKER TO OVERLAP ONTO ANVIL



590273	1	WARNING STICKER	7
501736	1	C.P.S.S. #8-32 X 3/16	6
501920	3	C.P.S.S. #10-32 X 3/16	5
128928	1	ANVIL HOLDER, COLLAR SPLITTER	4
502017	4	F.P.S.S. #10-32 X 3/16	3
129977	1	ANVIL, COLLAR SPLITTER	2
129978	1	PULLER, COLLAR SPLITTER	1
PART NO.	QTY	DESCRIPTION	ITEM

IDENTIFICATION PER SPEC 42-311: ★ PERMANENT	HUCK INTERNATIONAL, INC., I.S.D 1 CORPORATE DR KINGSTON, NEW YORK 12401		
ITAR/ECCN: EAR99	ASSY, BTT-M14 (14MM) COLLAR SPLITTER BTT25 TOOL		
SCH B#: 8467.99.0190	FINAL ASSY: -		
ENG: TRK	CK:	DATE: 9/8/11	SCALE: 1:1
HTS: 8467.99.0190	<b>B</b>	<b>99-7854CX</b>	