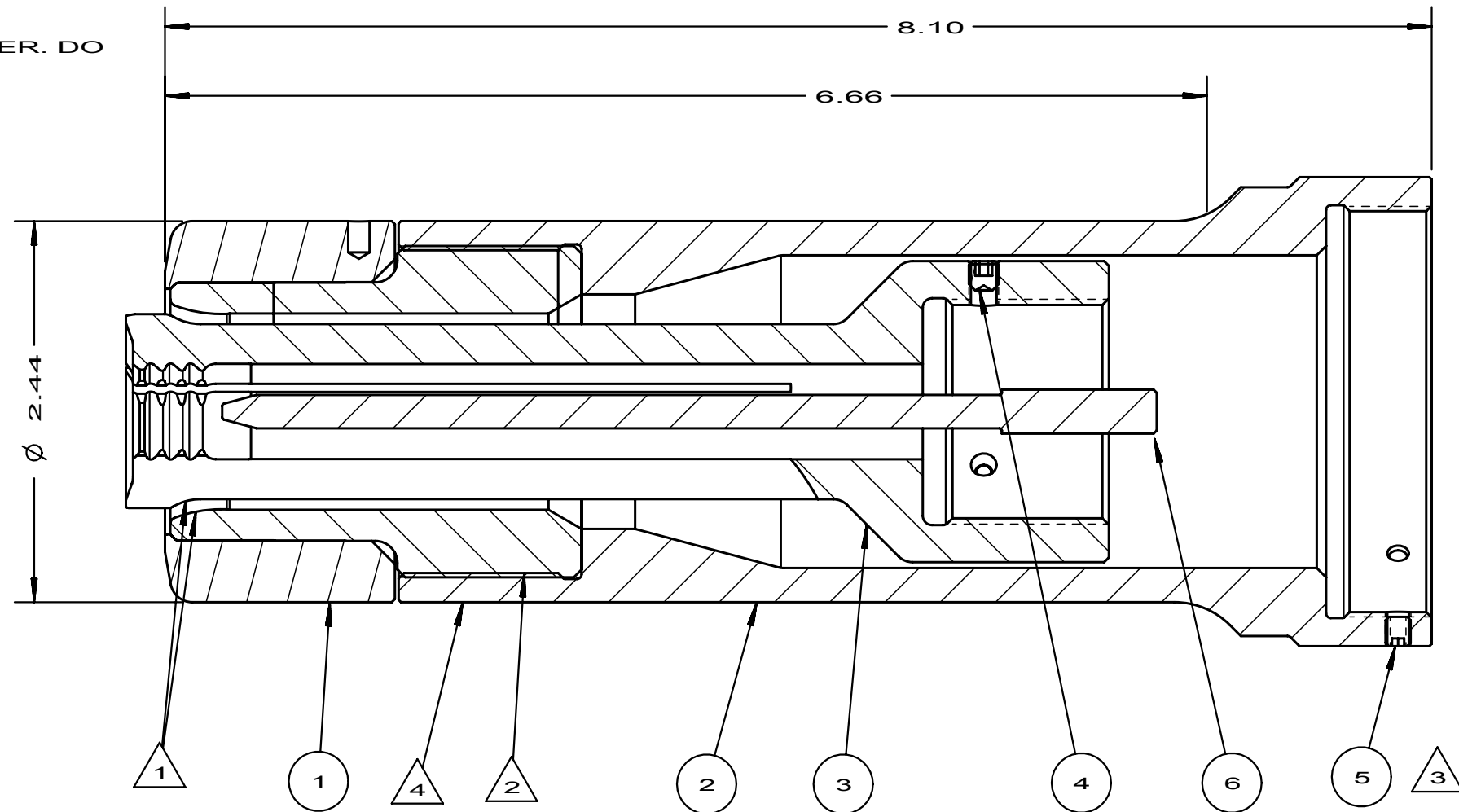
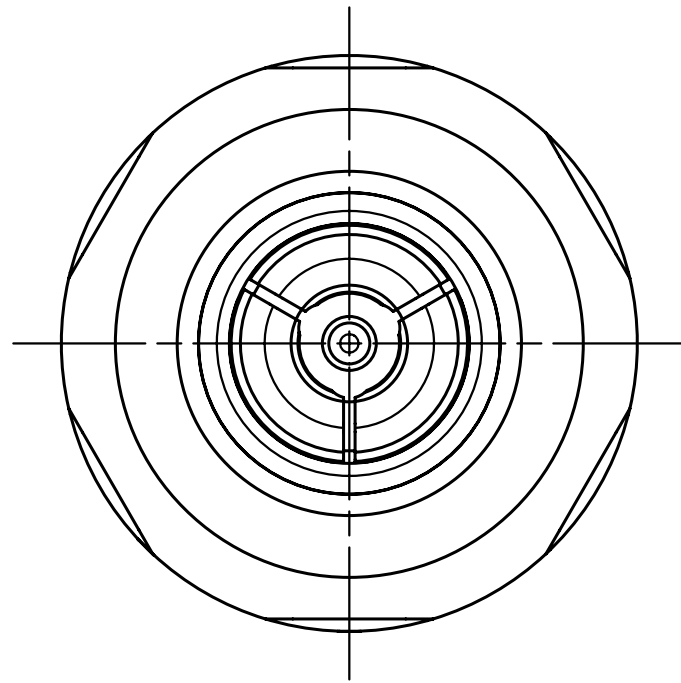


REV	DESCRIPTION	DATE
A	RELEASE	6/20/08
B	ADDED 129293, LIMIT SWITCH NOTE	8/7/09

NOTES:

- 1 APPLY ANTI-SEIZE LUBRICANT P/N: 508183 TO OUTSIDE OF PULLER AND INSIDE OF ANVIL
- 2 APPLY LOCTITE 242 P/N: 505016 TO THESE THREADED JOINTS PER MFR'S INSTRUCTIONS.
- 3 APPLY VIBRA-TITE P/N: 505125 TO SET SCREW THREADS PER MFR'S INSTRUCTIONS.
- 4 APPLY WARNING STICKER P/N: 590273 TO ANVIL HOLDER. DO NOT PERMIT STICKER TO OVERLAP ONTO ANVIL



SECTION A-A

(B) LIMIT SWITCH SETTING:
 WITH CONTROLLER = .616
 WITHOUT CONTROLLER = .576

(B) 129293	1	ACTUATOR ROD	6
501736	1	SET SCREW	5
501920	3	SET SCREW	4
128886	1	PULLER	3
128887	1	ANVIL HOLDER	2
128890	1	ANVIL ASSEMBLY	1
PART NO.	QTY	DESCRIPTION	ITEM

HUCK INTERNATIONAL, INC., I.S.D. 1 CORPORATE DR, P.O. BOX 2270 KINGSTON, NEW YORK 12401			
NOSE ASSEMBLY -28 (7/8) BOBTAIL BTT57 TOOL			
DET: TRK	CK:	DATE: 6/20/08	SCALE: 1:1
FOC. FAC.	B	99-7853	