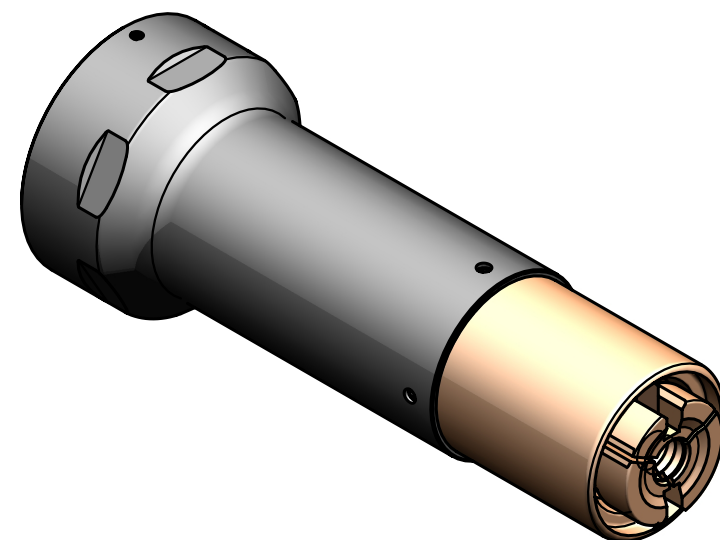
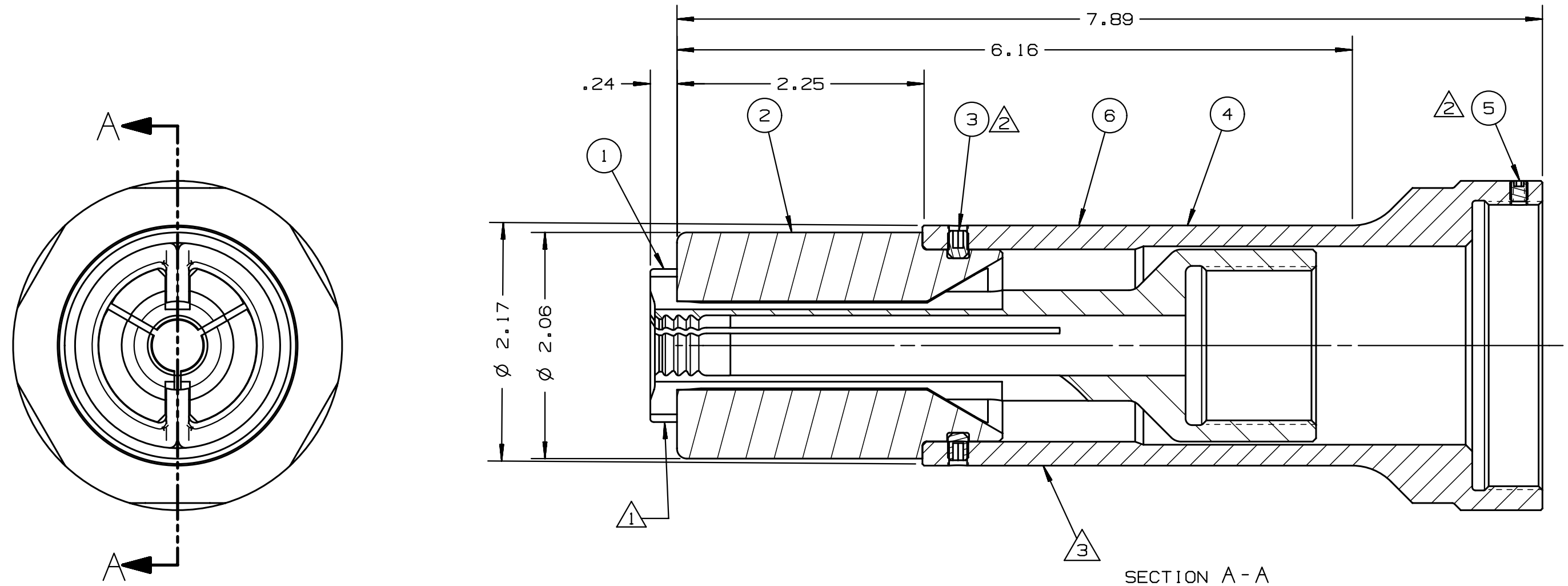


REV	DESCRIPTION	DET	DATE
A	RELEASE	HKS	9/8/11

NOTES:

- ① APPLY ANTI-SEIZE LUBRICANT P/N: 508183 TO OUTSIDE OF PULLER.
- ② APPLY VIBRA-TITE P/N: 505125 TO SET SCREW THREADS PER MFR'S INSTRUCTIONS.
- ③ APPLY WARNING STICKER P/N: 590273 TO ANVIL HOLDER. DO NOT PERMIT STICKER TO OVERLAP ONTO ANVIL



PART NO.	QTY	DESCRIPTION	ITEM
590273	1	WARNING STICKER	6
501736	1	C.P.S.S. #8-32 X 3/16	5
128802	1	ANVIL HOLDER, COLLAR SPLITTER	4
501817	4	F.P.S.S. #10-32 X 1/4	3
130011	1	ANVIL, COLLAR SPLITTER	2
129980	1	PULLER, COLLAR SPLITTER	1

IDENTIFICATION PER SPEC 42-311: ★ PERMANENT		HUCK INTERNATIONAL, INC., I.S.D 1 CORPORATE DR KINGSTON, NEW YORK 12401	
ITAR/ECCN: EAR99		ASSY, MBT-20(20MM) & BT-24(3/4") COLLAR SPLITTER, BTT57 TOOL	
SCH B#: 8467.99.0190		FINAL ASSY: -	
ENG: TRK	CK:	DATE: 9/8/11	SCALE: 1:1
HTS: 8467.99.0190		<b>B</b>	<b>99-7852CX</b>