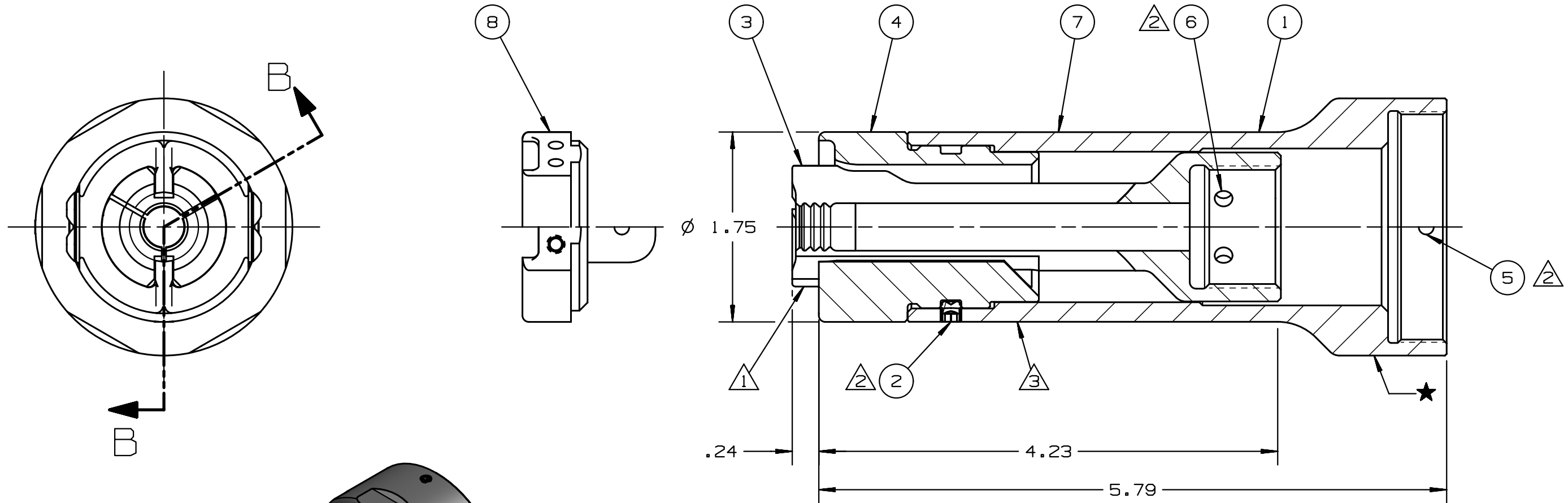


NOTES:

- ① APPLY ANTI-SEIZE LUBRICANT P/N: 508183 TO OUTSIDE OF PULLER
- ② APPLY VIBRA-TITE P/N: 505125 TO SET SCREW THREADS PER MFR'S INSTRUCTIONS.
- ③ APPLY WARNING STICKER P/N: 590273 TO ANVIL HOLDER. DO NOT PERMIT STICKER TO OVERLAP ONTO ANVIL

REV	DESCRIPTION	DET	DATE
A	RELEASE	HKS	09/08/11
B	ADDED ANVIL EXTENSION 128455	SMA	02/26/15
C	ANVIL ASM 130948 WAS ANVIL 129971	SMA	06/19/15



SECTION B-B

PART NO.	QTY	DESCRIPTION	ITEM
128455	1	EXTENSION, ANVIL, CUTTER	8
590273	1	WARNING STICKER	7
501920	3	SET SCREW, C.P. #10-32 X .19	6
501736	1	SET SCREW, C.P. #8-32 X .19	5
130948	1	ANVIL ASM, CUT, BTT35, -20BT	4
129972	1	PULLER, CUT, BTT35, 16MM&-20BT	3
502017	4	SET SCREW, F.P. #10-32 X .19	2
128447	1	ANVIL HOLDER, COLLAR SPLITTER	1

IDENTIFICATION PER SPEC 42-311: ★ PERMANENT		HUCK INTERNATIONAL, INC., I.S.D 1 CORPORATE DR KINGSTON, NEW YORK 12401	
ITAR/ECCN: EAR99		NOSE, CUT, 16MM &-20 BT BTT35 TOOL	
SCH B#: 8467.99.0190		FINAL ASSY: -	
ENG: TRK	CK:	DATE: 9/8/11	SCALE: 1:1
HTS: 8467.99.0190		B 99-7851CX	