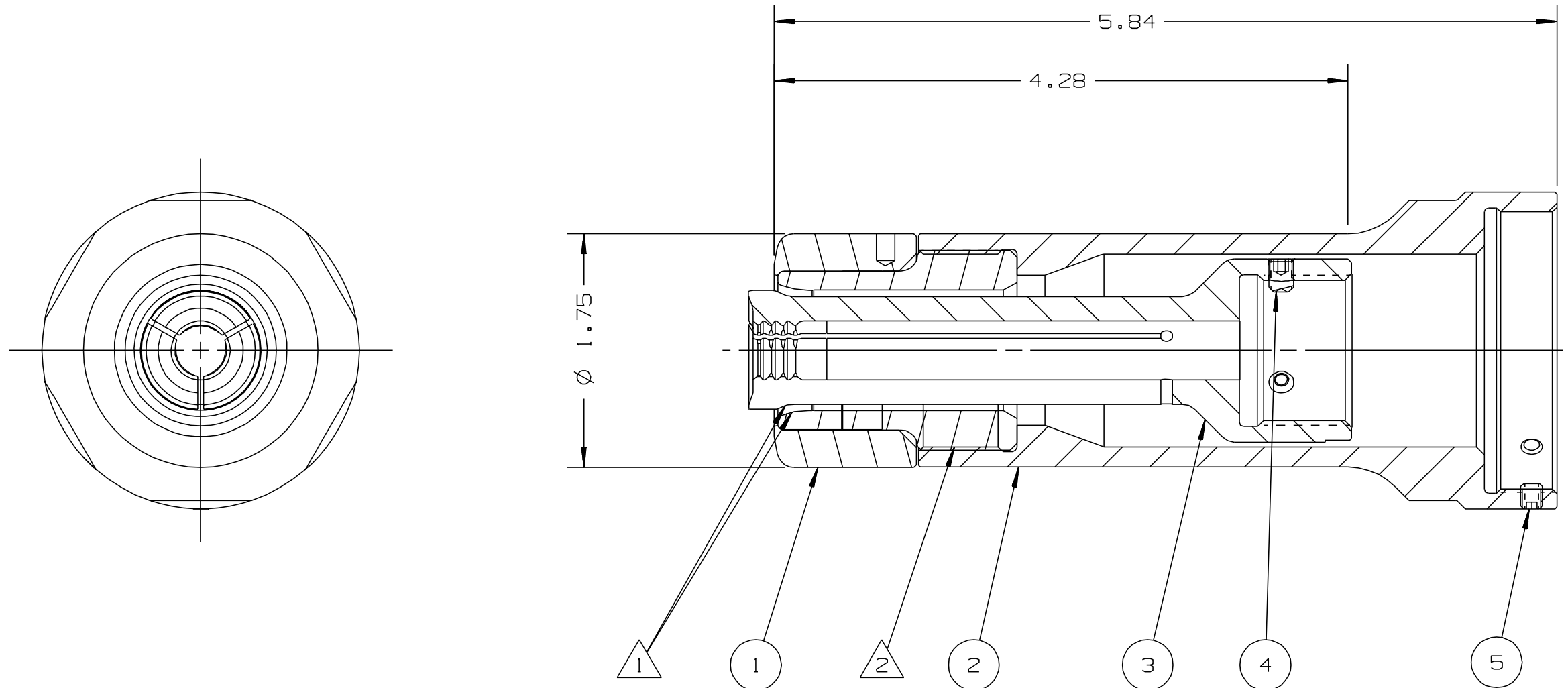


REV	DESCRIPTION	DATE
A	RELEASE	3/23/07

NOTES:

- 1 APPLY ANTI-SEIZE LUBRICANT P/N: 505183 TO OUTSIDE OF PULLER AND INSIDE OF ANVIL
- 2 APPLY LOCTITE 242 P/N: 505016 TO THESE THREADED JOINTS PER MFR'S INSTRUCTIONS.



SECTION A - A

501736	2	SET SCREW	5
501691	3	SET SCREW	4
128389	1	PULLER	3
128376	1	ANVIL HOLDER	2
128379	1	ANVIL ASSEMBLY	1
PART NO.	QTY	DESCRIPTION	ITEM

HUCK INTERNATIONAL, INC., I.S.D.
1 CORPORATE DR., P.O. BOX 2270
KINGSTON, NEW YORK 12401

NOSE ASSEMBLY 5/8" (16MM) BOBTAIL
BTT35 TOOL

DET: TRK CK: DATE: 3/23/07 SCALE: 1:1

FOC. FAC. **B** **99-7851**