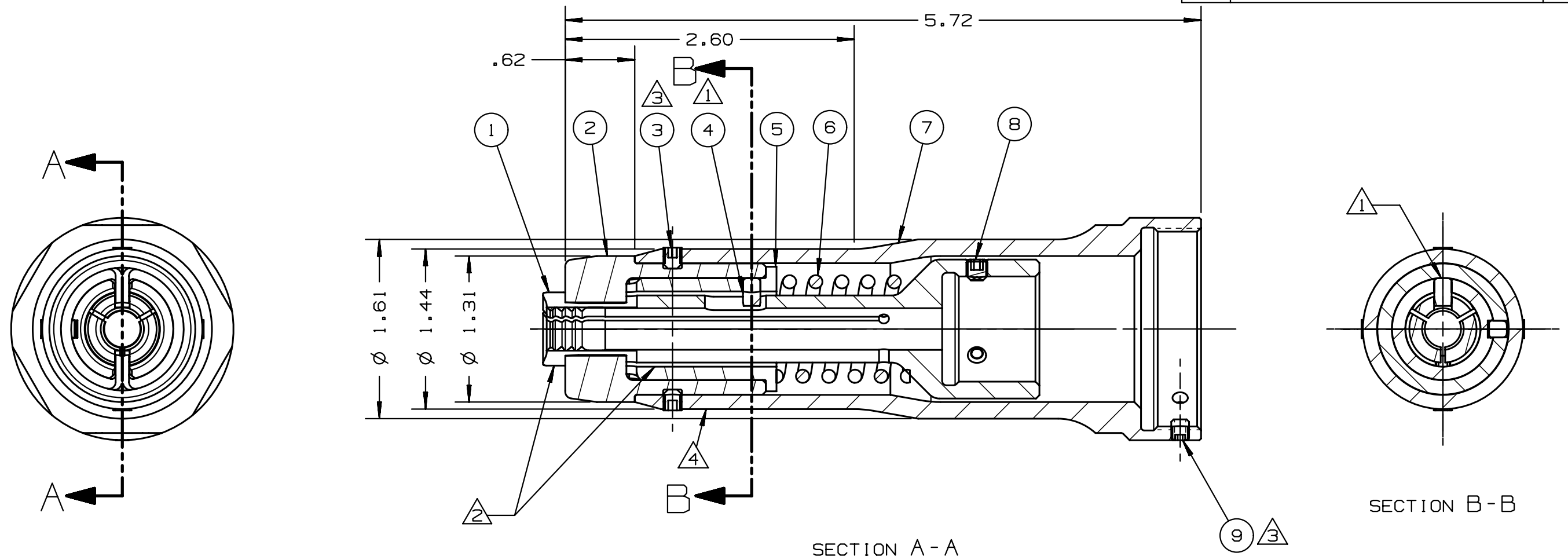


REV	DESCRIPTION	DATE
A	RELEASE	3/13/08
B	ADDED WARNING STICKER P/N:590273	7/28/08
C	OBSOLETE SUPERSEDED BY 99-7850CX	06/14/13



50 1736	1	C.P.S.S. #8-32 X 3/16	9
50 1920	3	C.P.S.S. #10-32 X 3/16	8
128794	1	ANVIL HOLDER, COLLAR CUTTER	7
50 8361	1	SPRING	6
128798	1	SLEEVE	5
50 8032	1	DOWEL PIN, 5/32 X 1/4	4
50 1781	4	F.P.S.S. #8-32 X 3/16	3
128796	1	ANVIL, COLLAR CUTTER ASSY	2
128797	1	PULLER, COLAR CUTTER	1
PART NO.	QTY	DESCRIPTION	ITEM

IDENTIFICATION PER SPEC 42-311: ★ PERMANENT	
ITAR:	HUCK INTERNATIONAL, INC., I.S.D. 1 CORPORATE DR, P.O. BOX 2270 KINGSTON, NEW YORK 12401
ECCN: EAR99	ASSY, BTT-M12 COLLAR CUTTER BTT25 TOOL
SCH B#: 8467.99.0190	DET: TRK CK: DATE: 3/13/08 SCALE: 1:1
HTS: 8467.99.0190	B 99-7850CC

NOTES:

- ① PRESS DOWEL PIN 128677 FLUSH TO .010 BELOW O.D. SURFACE OF SLEEVE 128798.
- ② APPLY ANTI-SEIZE LUBRICANT P/N: 508183 TO OUTSIDE OF PULLER AND INSIDE OF SLEEVE.
- ③ APPLY VIBRA-TITE P/N: 505125 TO SET SCREW THREADS PER MFR'S INSTRUCTIONS.
- ④ APPLY WARNING STICKER P/N: 590273 TO ANVIL HOLDER. DO NOT PERMIT STICKER TO OVERLAP ONTO ANVIL.