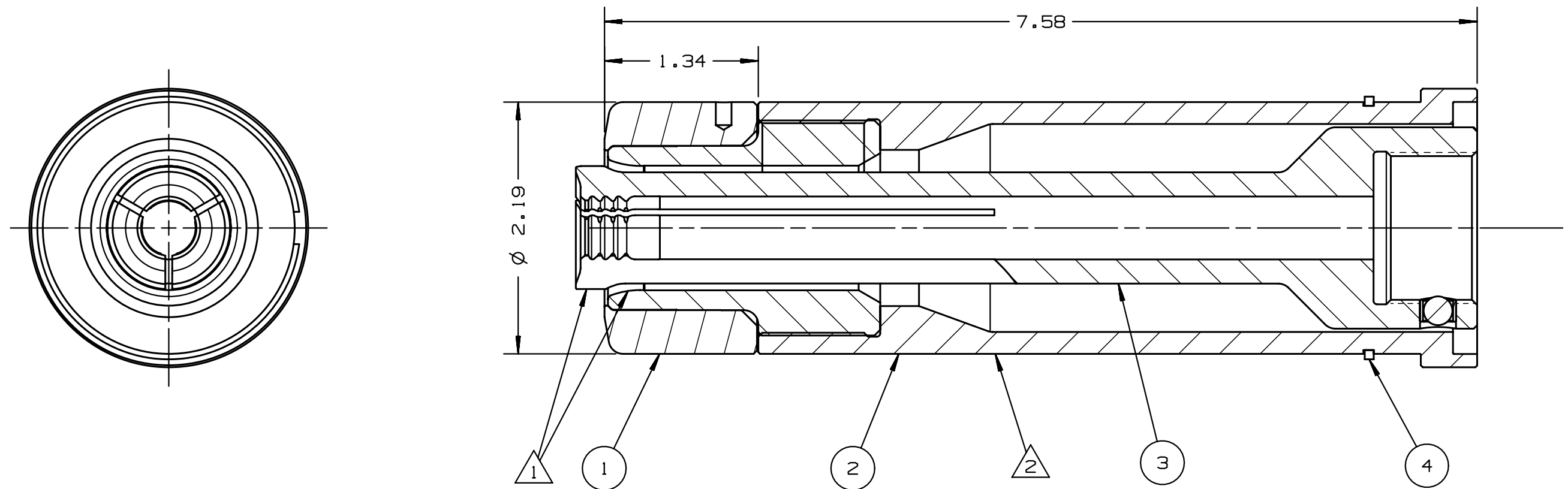


REV	DESCRIPTION	DATE
A	RELEASE	11/02/09

NOTES:

- 1 APPLY ANTI-SEIZE LUBRICANT P/N: 508183 TO OUTSIDE OF PULLER AND INSIDE OF ANVIL
- 2 APPLY WARNING STICKER P/N: 590273 TO ANVIL HOLDER. DO NOT PERMIT STICKER TO OVERLAP ONTO ANVIL.



SECTION A - A

501027	1	RETAINING RING	4
129394	1	PULLER	3
129393	1	ANVIL HOLDER	2
129378	1	ANVIL ASSEMBLY	1
PART NO.	QTY	DESCRIPTION	ITEM

HUCK INTERNATIONAL, INC., I.S.D. 1 CORPORATE DR., P.O. BOX 2270 KINGSTON, NEW YORK 12401			
NOSE ASSEMBLY 3/4" BOBTAIL 2628 TOOL			
DET: HKS	CK:	DATE: 11/02/09	SCALE: 1:1
FOC. FAC.	B	99-7836	