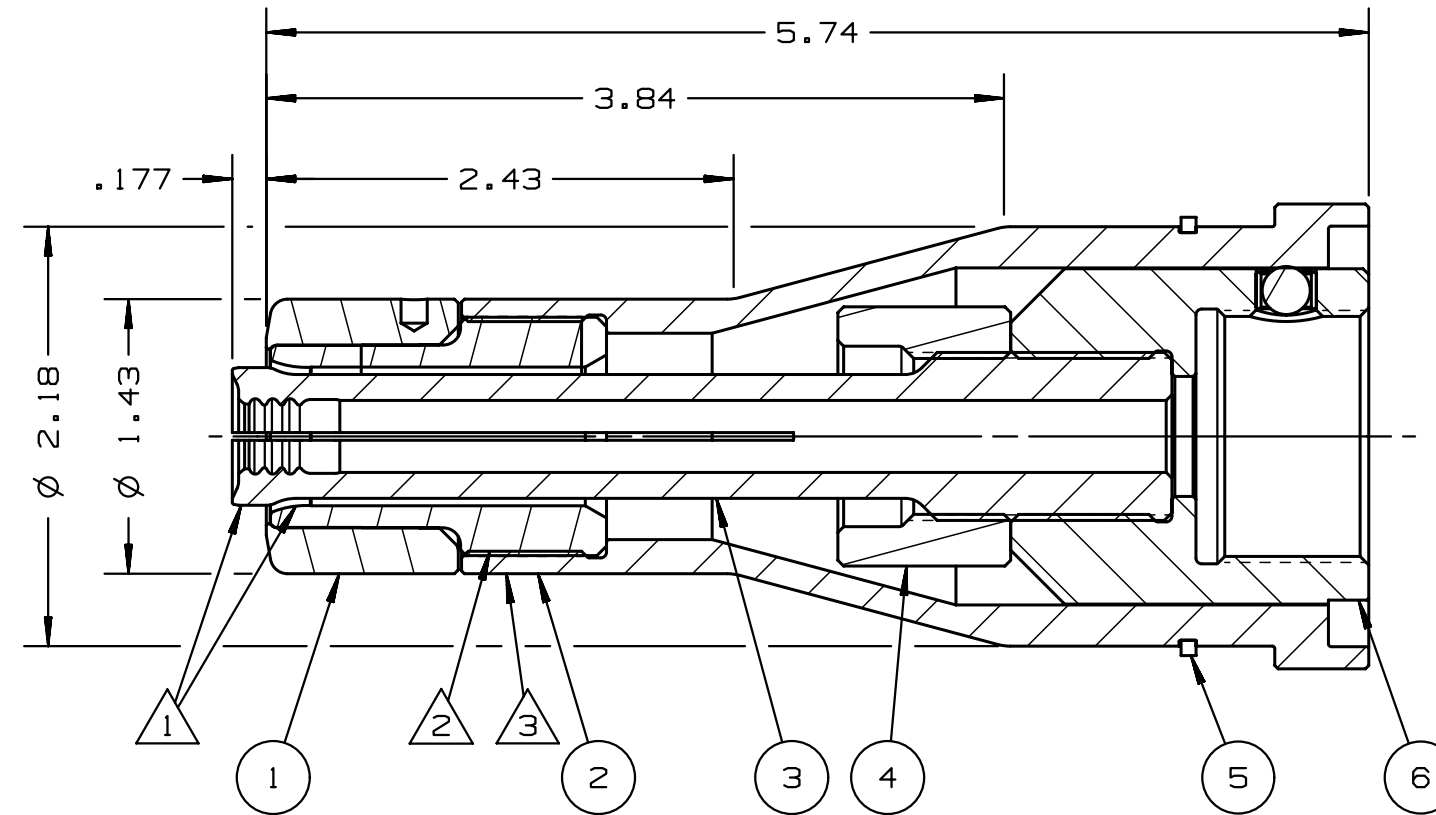
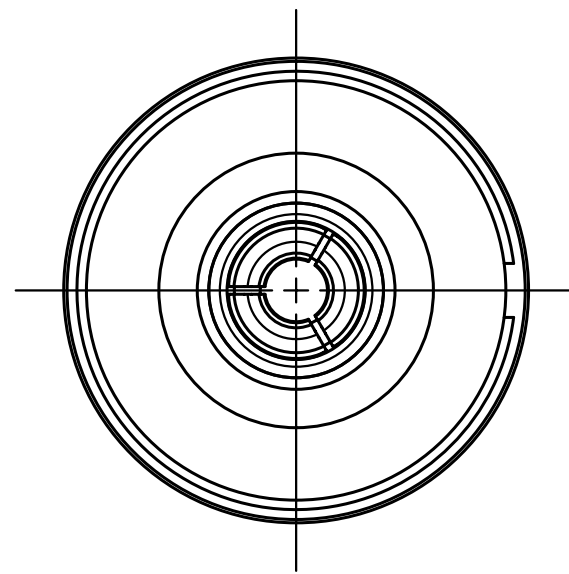


REV	DESCRIPTION	DET	DATE
A	RELEASE	HKS	9/15/08
B	REMOVED LOCTITE NOTE FROM PULLER THREADS; ADDED VIEW	HKS	7/13/15

NOTES:

- 1 APPLY ANTI-SEIZE LUBRICANT P/N: 508183 TO OUTSIDE OF PULLER AND INSIDE OF ANVIL
- 2 APPLY LOCTITE 242 P/N: 505016 TO THESE THREADED JOINTS PER MFR'S INSTRUCTIONS.
- 3 APPLY WARNING STICKER P/N: 590273 TO ANVIL HOLDER. DO NOT PERMIT STICKER TO OVERLAP ONTO ANVIL.



SECTION A - A



129022	1	ADAPTER ASSEMBLY	6
501027	1	RETAINING RING	5
129019	1	LOCK NUT/SPACER	4
129000	1	PULLER	3
129001	1	ANVIL HOLDER	2
129004	1	ANVIL ASSEMBLY	1
PART NO.	QTY	DESCRIPTION	ITEM

IDENTIFICATION PER SPEC 42-311: ★ ETCH	HUCK INTERNATIONAL, INC., I.S.D 1 CORPORATE DR KINGSTON, NEW YORK 12401		
ITAR/ECCN: EAR99	NOSE ASSEMBLY 12" BOBTAIL 3585 TOOL		
SCH B#: 8467.99.0190	FINAL ASSY: -		
HTS: 8467.99.0190	ENG: HKS	CK:	DATE: 9/15/08 SCALE: 1:1

B **99-7835**