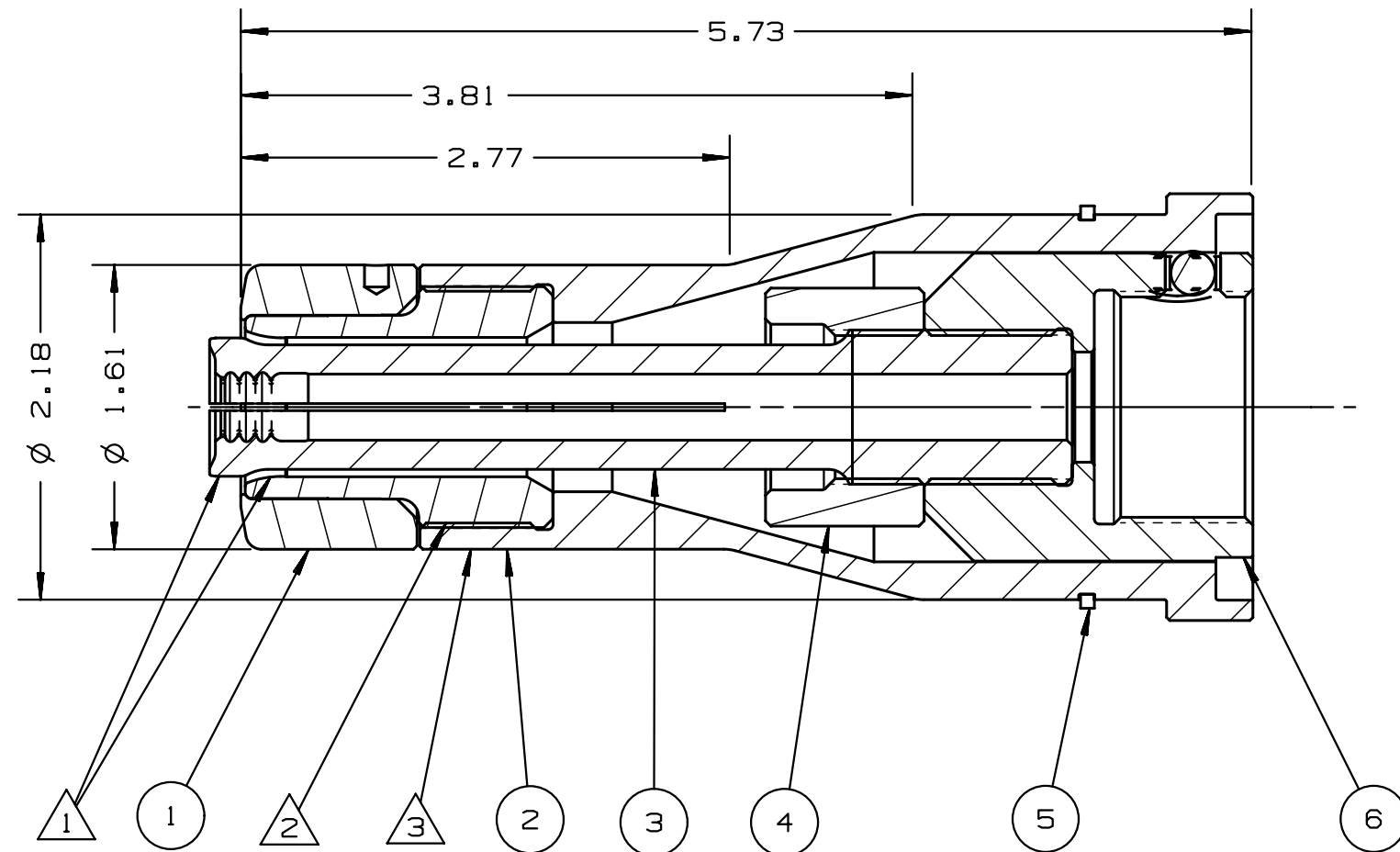
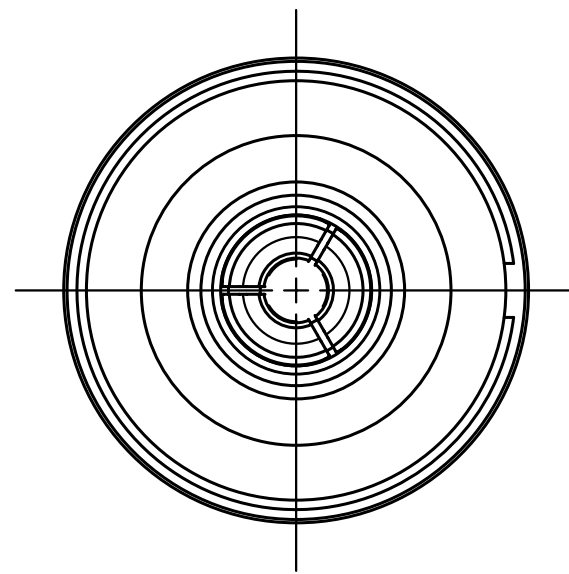


REV	DESCRIPTION	DET	DATE
A	RELEASE	HKS	4/25/11
B	REMOVED LOCTITE NOTE FROM PULLER THREADS; ADDED VIEW	HKS	7/13/15

NOTES:

- 1 APPLY ANTI-SEIZE LUBRICANT P/N: 508183 TO OUTSIDE OF PULLER AND INSIDE OF ANVIL
- 2 APPLY LOCTITE 242 P/N: 505016 TO THESE THREADED JOINTS PER MFR'S INSTRUCTIONS.
- 3 APPLY WARNING STICKER P/N: 590273 TO ANVIL HOLDER. DO NOT PERMIT STICKER TO OVERLAP ONTO ANVIL.



SECTION A - A



129022	1	ADAPTER ASSEMBLY	6
501027	1	RETAINING RING	5
129019	1	LOCK NUT/SPACER	4
129872	1	PULLER	3
129871	1	ANVIL HOLDER	2
128923	1	ANVIL ASSEMBLY	1
PART NO.	QTY	DESCRIPTION	ITEM

IDENTIFICATION PER SPEC 42-311: ★ PERMANENT		HUCK INTERNATIONAL, INC., I.S.D 1 CORPORATE DR KINGSTON, NEW YORK 12401	
ITAR/ECCN: EAR99		NOSE ASSEMBLY, 14MM BOBTAIL 3585 TOOL	
SCH B#:		FINAL ASSY: -	
ENG: TRK		DATE: 4/25/11	SCALE: 1:1
HTS: 8467.99.0190		B	99-7834