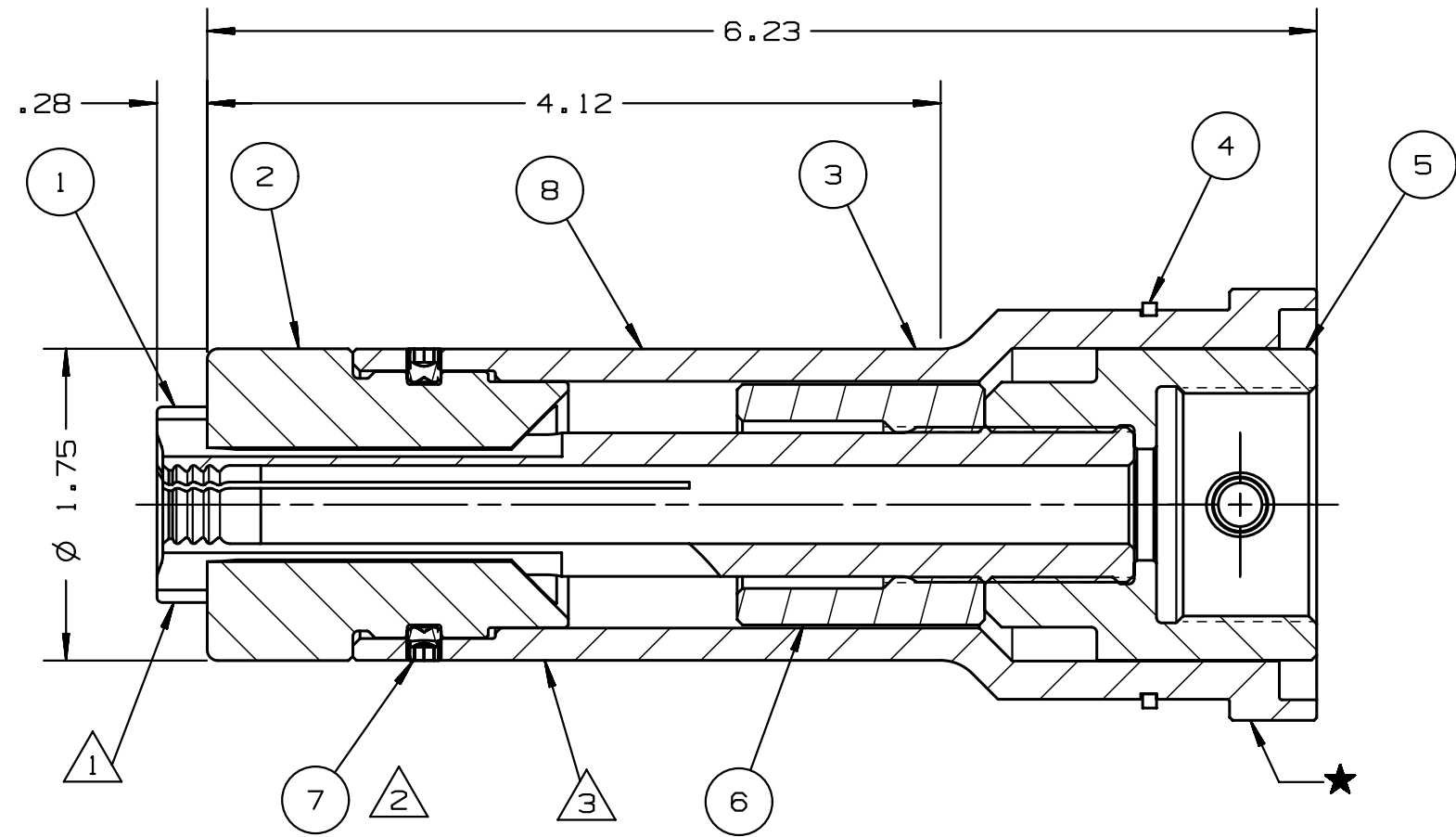
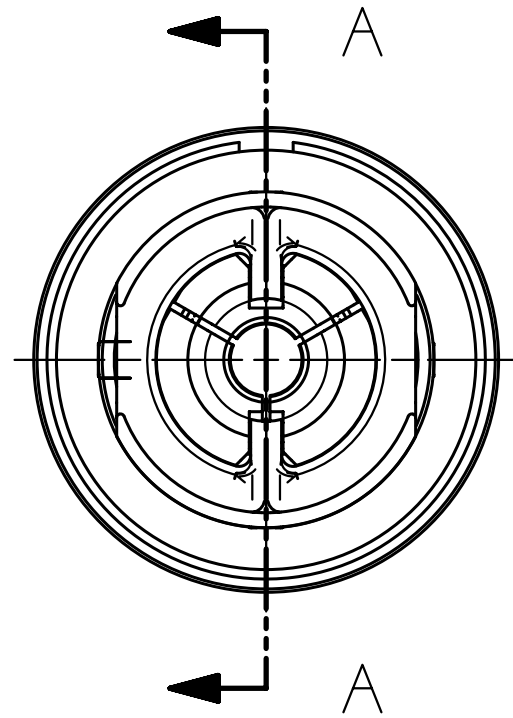


NOTES:

- ① APPLY ANTI-SEIZE LUBRICANT P/N: 508183 TO OUTSIDE OF PULLER.
- ② APPLY VIBRA-TITE P/N: 505125 TO SET SCREW THREADS PER MFR'S INSTRUCTIONS.
- ③ APPLY WARNING STICKER P/N: 590273 TO ANVIL HOLDER. DO NOT PERMIT STICKER TO OVERLAP ONTO ANVIL

REV	DESCRIPTION	DET	DATE
A	RELEASE	HKS	9/8/11
B	REMOVED NOTE 4 - LOCTITE 242	HKS	7/27/15



SECTION A - A



PART NO.	QTY	DESCRIPTION	ITEM
590273	1	WARNING STICKER	8
502017	4	SET SCREW #10-32 X 3/16	7
129021	1	LOCK NUT/SPACER	6
129022	1	ADAPTER ASSEMBLY	5
501027	1	RETAINING RING	4
129011	1	ANVIL HOLDER, COLLAR SPLITTER	3
129971	1	ANVIL, COLLAR SPLITTER	2
130020	1	PULLER, COLLAR SPLITTER	1

IDENTIFICATION PER SPEC 42-311: ★ PERMANENT		HUCK INTERNATIONAL, INC., I.S.D 1 CORPORATE DR KINGSTON, NEW YORK 12401	
ITAR/ECCN: EAR99		ASSY, BT-20(5/8") & MBT-16(16MM) COLLAR SPLITTER 3585 TOOL	
SCH B#: 8467.99.0190		FINAL ASSY: -	
ENG: TRK	CK:	DATE: 9/8/11	SCALE: 1:1
HTS: 8467.99.0190		B	99-7831CX