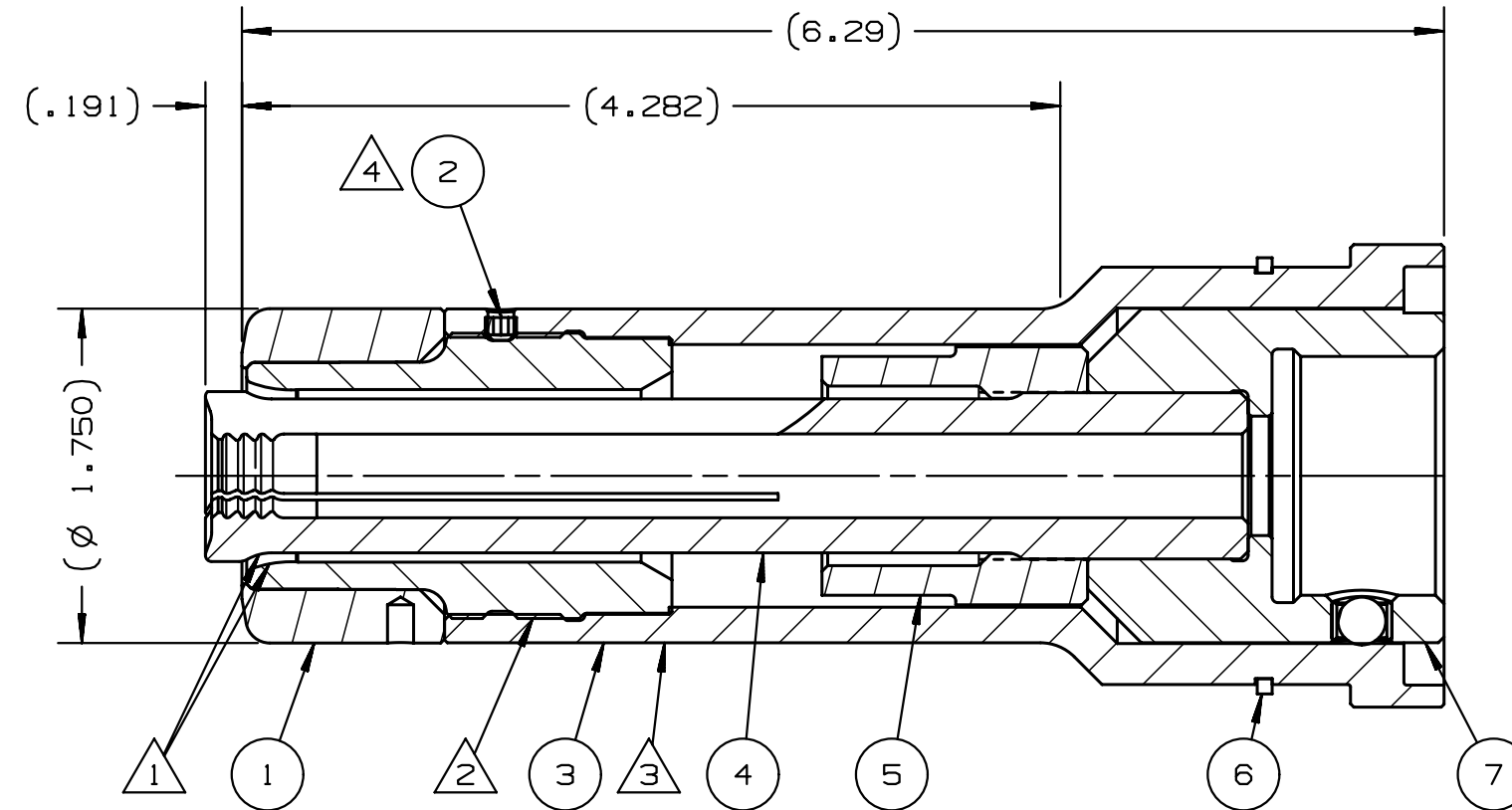
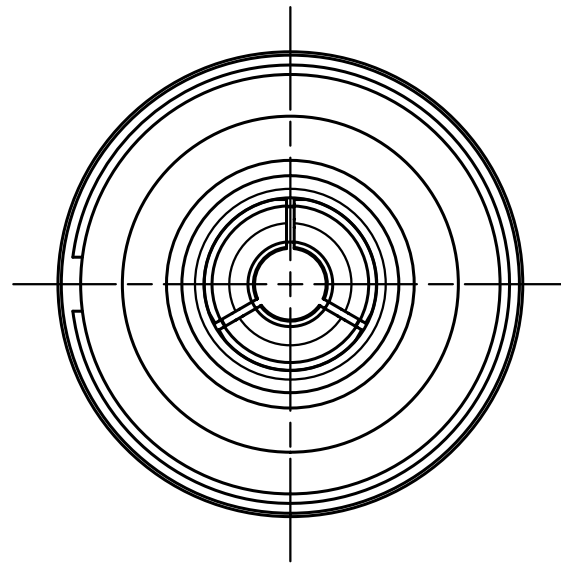


REV	DESCRIPTION	DET	DATE
A	RELEASE	HKS	09/15/08
B	SET SCREW 501780 WAS 501781	MJK	01/09/14
C	REMOVED LOCTITE NOTE ON PULLER THREADS; ADDED VIEW	HKS	7/13/15

NOTES:

- 1 APPLY ANTI-SEIZE LUBRICANT P/N: 508183 TO OUTSIDE OF PULLER AND INSIDE OF ANVIL
- 2 APPLY LOCTITE 242 P/N: 505016 TO THESE THREADED JOINTS PER MFR'S INSTRUCTIONS.
- 3 APPLY WARNING STICKER P/N: 590273 TO ANVIL HOLDER. DO NOT PERMIT STICKER TO OVERLAP ONTO ANVIL.
- 4 APPLY VIBRA-TITE P/N: 505125 TO SET SCREW THREADS PER MFR'S INSTRUCTIONS.



SECTION A-A



129022	1	ADAPTER ASSEMBLY	7
501027	1	RETAINING RING	6
129021	1	LOCK NUT/SPACER	5
129009	1	PULLER	4
129008	1	ANVIL HOLDER	3
501780	3	SSCR #8-32 X .125	2
128805	1	ANVIL ASSEMBLY	1
PART NO.	QTY	DESCRIPTION	ITEM

IDENTIFICATION PER SPEC 42-311: ★ PERMANENT		HUCK INTERNATIONAL, INC., I.S.D 1 CORPORATE DR KINGSTON, NEW YORK 12401	
ITAR/ECCN: EAR99		NOSE ASSEMBLY 5/8" (16MM) BOBTAIL	
SCH B#: 8467.99.0190		FINAL ASSY: 3585 TOOL	
ENG: TRK	CK:	DATE: 9/15/08	SCALE: 1:1
HTS: 8467.99.0190		B	99-7831