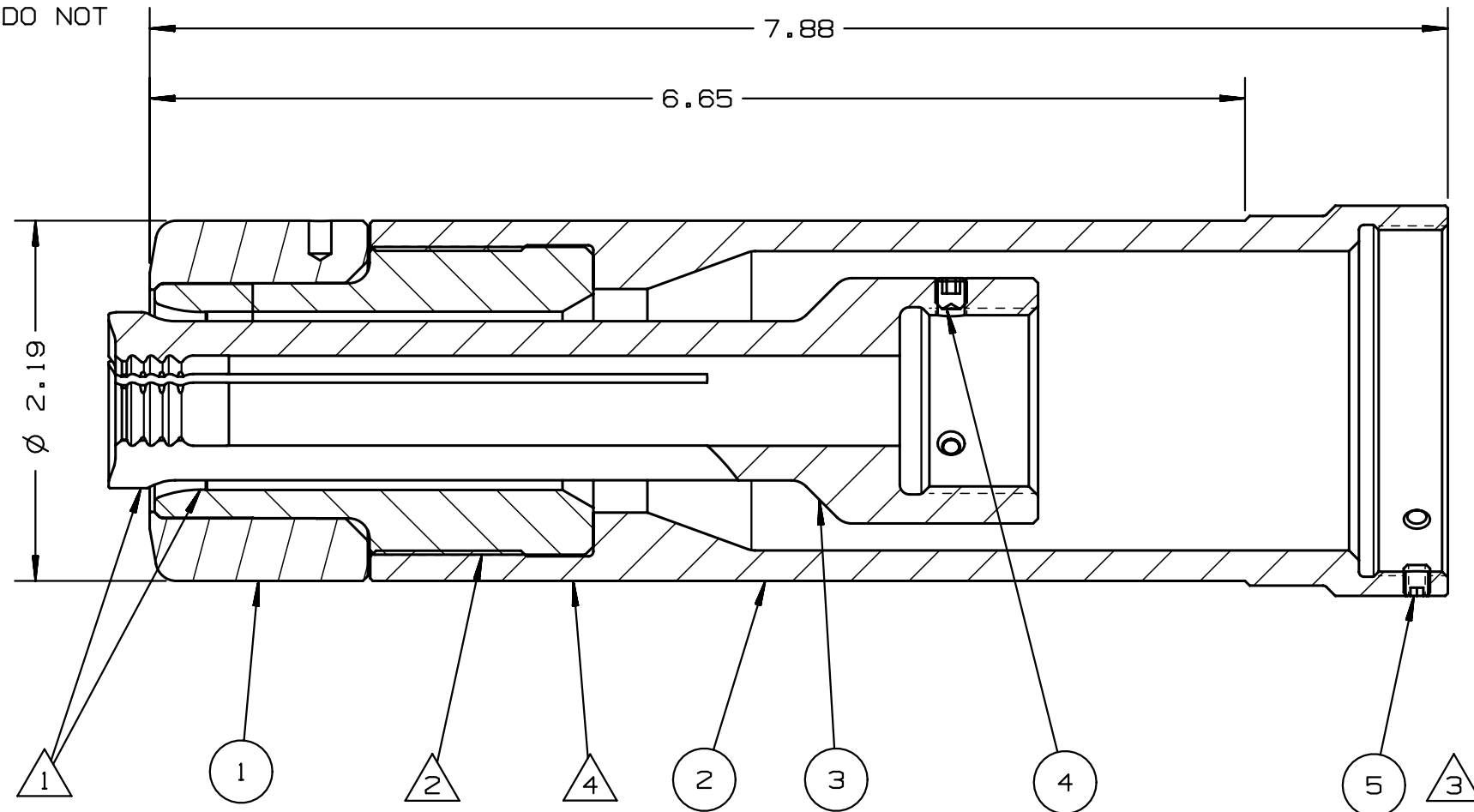
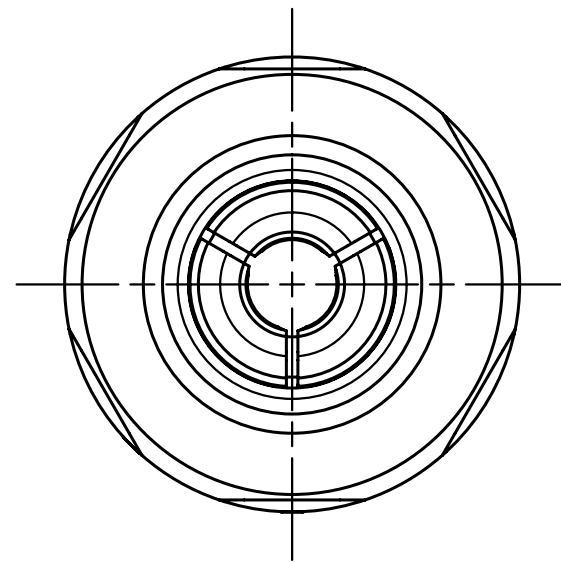


REV	DESCRIPTION	DATE
A	RELEASE	3/18/10

NOTES:

- 1 APPLY ANTI-SEIZE LUBRICANT P/N: 508183 TO OUTSIDE OF PULLER AND INSIDE OF ANVIL
- 2 APPLY LOCTITE 242 P/N: 505016 TO THESE THREADED JOINTS PER MFR'S INSTRUCTIONS.
- 3 APPLY VIBRA-TITE P/N: 505125 TO SET SCREW THREADS PER MFR'S INSTRUCTIONS.
- 4 APPLY WARNING STICKER P/N: 590273 TO ANVIL HOLDER. DO NOT PERMIT STICKER TO OVERLAP ONTO ANVIL.



SECTION A - A

501736	1	SET SCREW	5
501920	3	SET SCREW	4
129483	1	PULLER	3
129047	1	ANVIL HOLDER	2
129481	1	ANVIL ASSEMBLY	1
PART NO.	QTY	DESCRIPTION	ITEM

HUCK INTERNATIONAL, INC., I.S.D.
1 CORPORATE DR., P.O. BOX 2270
KINGSTON, NEW YORK 12401

NOSE ASSEMBLY 3/4" BOBTAIL
BTT35LS TOOL

DET: HKS CK: DATE: 3/18/10 SCALE: 1:1

FOC. FAC. **B** **99-7826**