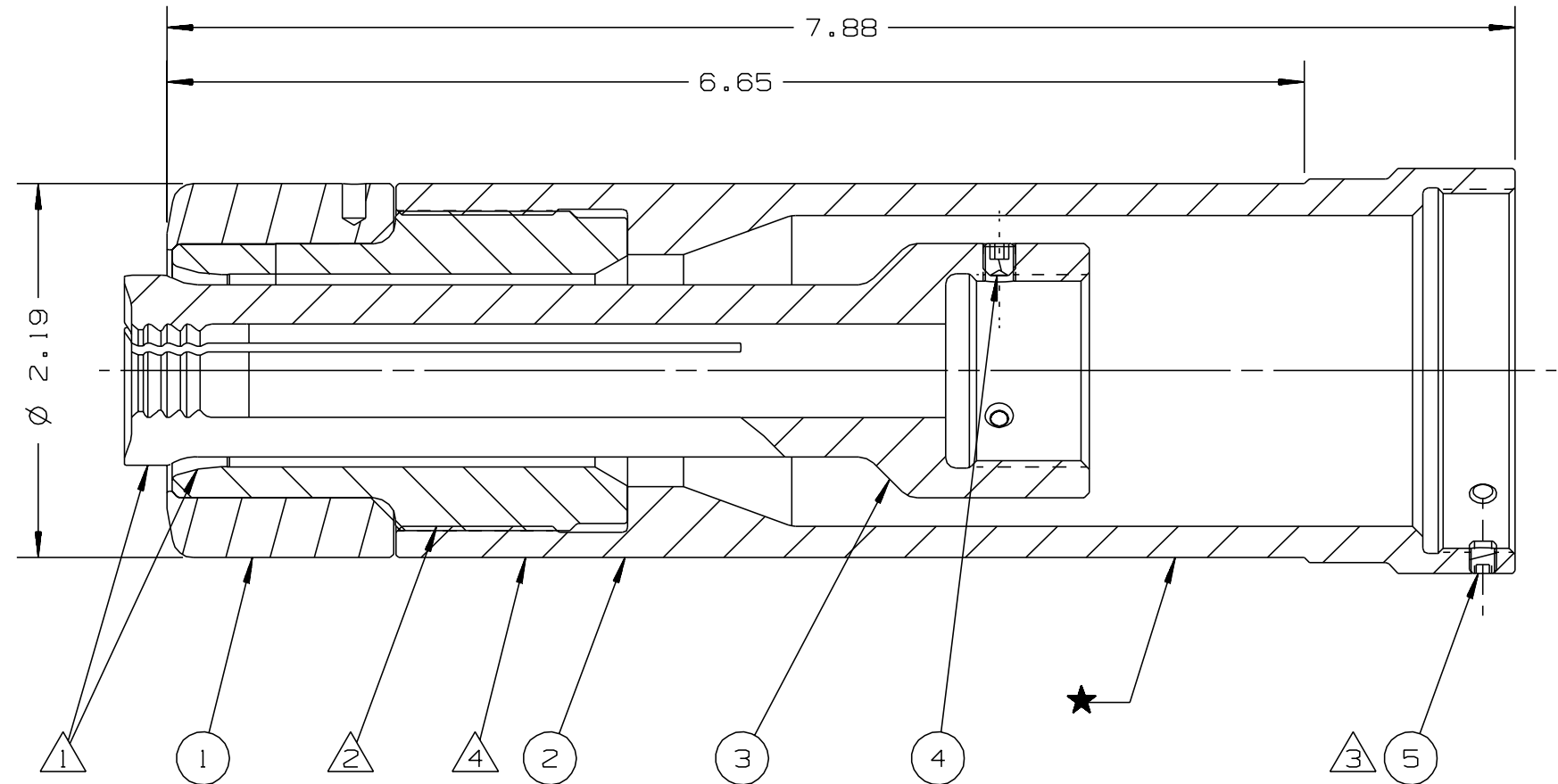
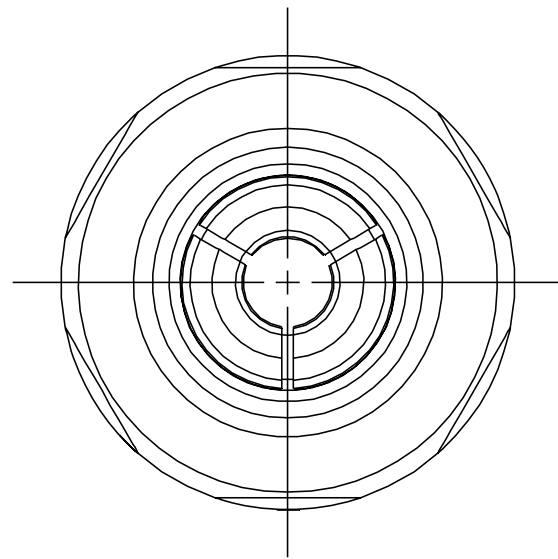


| REV | DESCRIPTION | DATE |
|-----|-------------|----------|
| A | RELEASE | 11/21/08 |

NOTES:

- 1 APPLY ANTI-SEIZE LUBRICANT P/N: 505565 TO OUTSIDE OF PULLER AND INSIDE OF ANVIL
- 2 APPLY LOCTITE 242 P/N: 505016 TO THESE THREADED JOINTS PER MFR'S INSTRUCTIONS.
- 3 APPLY VIBRA-TITE P/N: 505125 TO SET SCREW THREADS PER MFR'S INSTRUCTIONS.
- 4 APPLY WARNING STICKER P/N: 590273 TO ANVIL HOLDER. DO NOT PERMIT STICKER TO OVERLAP ONTO ANVIL.



SECTION A - A

| 501736 | 1 | SET SCREW | 5 |
|----------|-----|----------------|------|
| 501920 | 3 | SET SCREW | 4 |
| 129044 | 1 | PULLER | 3 |
| 129047 | 1 | ANVIL HOLDER | 2 |
| 129045 | 1 | ANVIL ASSEMBLY | 1 |
| PART NO. | QTY | DESCRIPTION | ITEM |

| IDENTIFICATION PER SPEC 42-311: ★ | | | |
|-----------------------------------|--|---------|-----------------------|
| ITAR: | HUCK INTERNATIONAL, INC., I.S.D. 1 CORPORATE DR., P.O. BOX 2270 KINGSTON, NEW YORK 12401 | | |
| ECCN: | NOSE ASSEMBLY 20MM BOBTAIL BTT35LS TOOL | | |
| SCH B#: | DET: TRK | CK: | DATE: 11/21/08 SCALE: |
| HTS: | B | 99-7822 | |