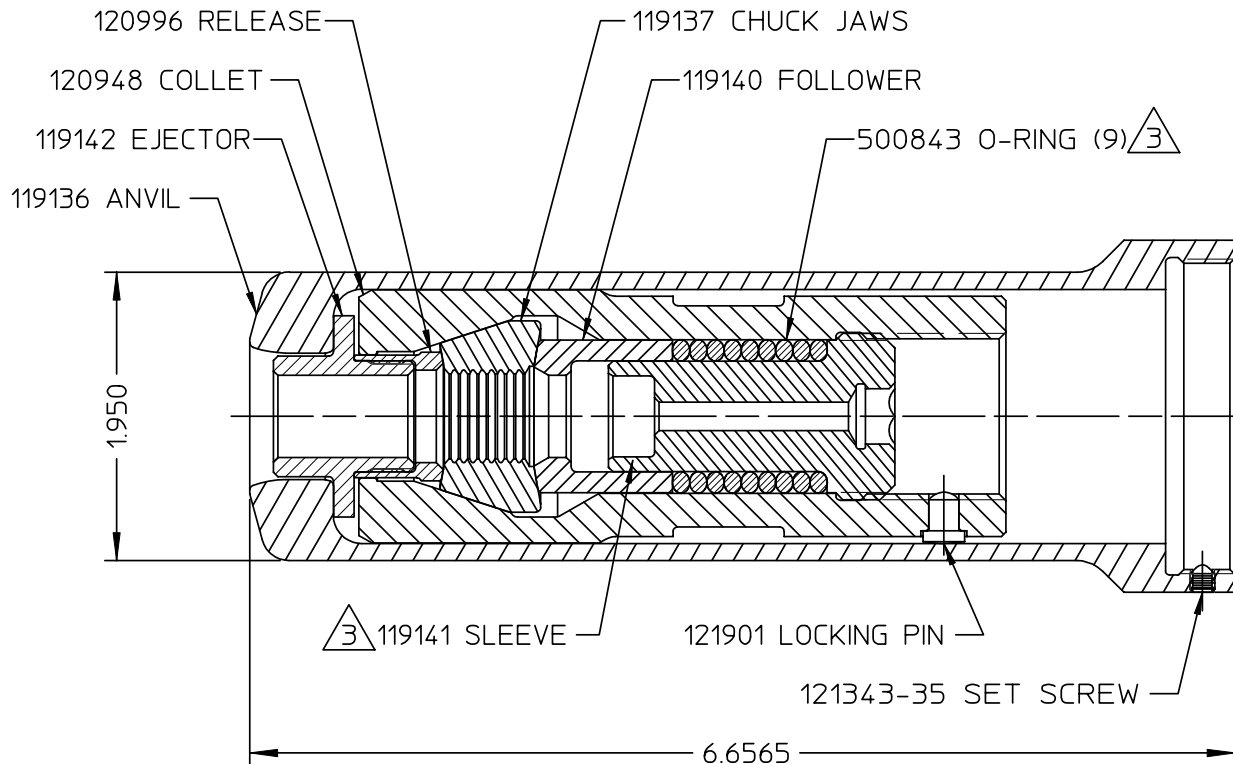
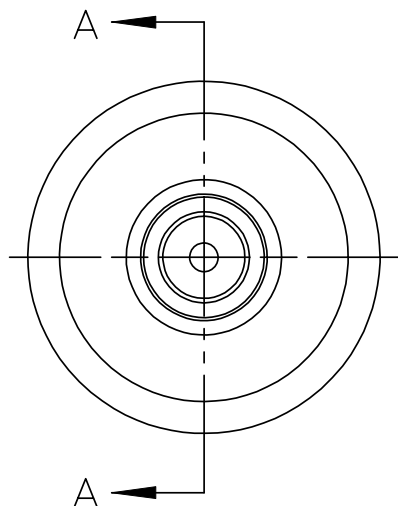


# DATA SHEET



SECTION A-A

NOTES:

- 1 COLLET ASSEMBLY 118926 CONSISTS OF:  
120948 COLLET (NOT AVAILABLE SEPERATELY)  
120996 RELEASE  
119142 EJECTOR  
121901 LOCKING PIN
- 2 RELEASE & EJECTOR KIT 118927 CONSISTS OF:  
120996 RELEASE  
119142 EJECTOR

ASSEMBLE SLEEVE AND O-RINGS PER HUCK SPEC 42-491.

**Alcoa Fastening Systems**

Commercial Products  
1 Corporate Drive, Kingston, NY 12401

TYPE:	SELF-RELEASING	
FASTENER:	14MM HP10.9	
TOOL(S):	HPT35	
Notes:	Product Revision:	<b>E</b>
US Patent:	Date:	07/16/03

99-6402

Part Number