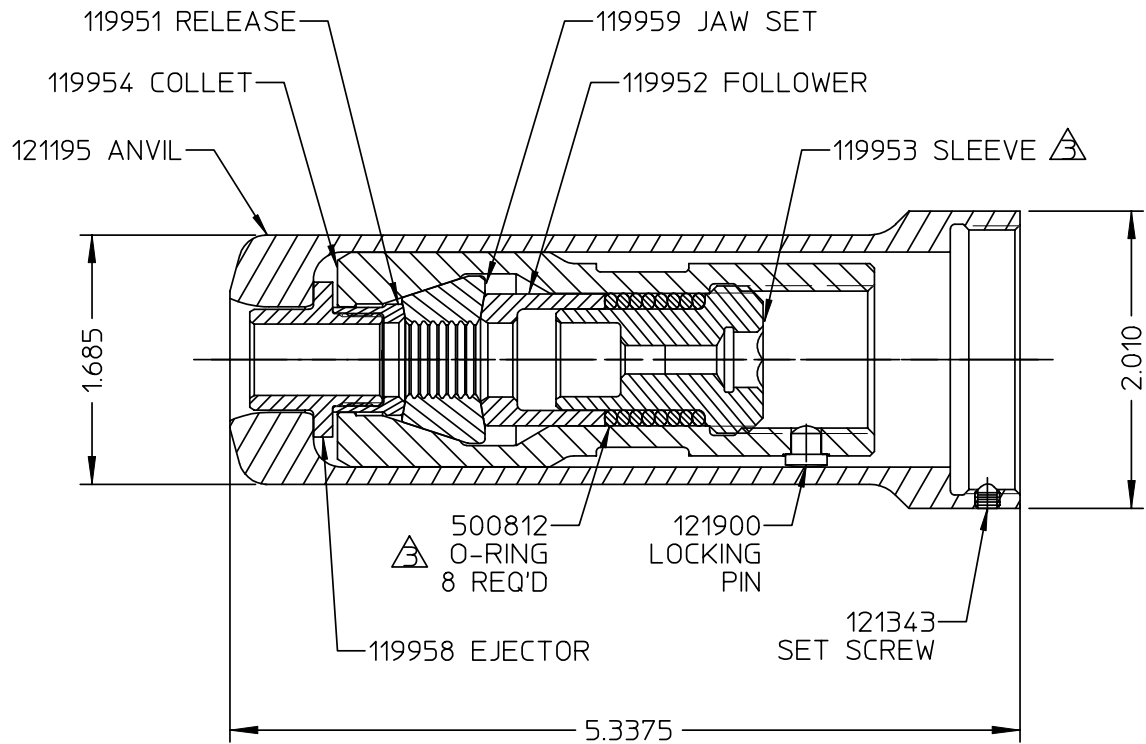
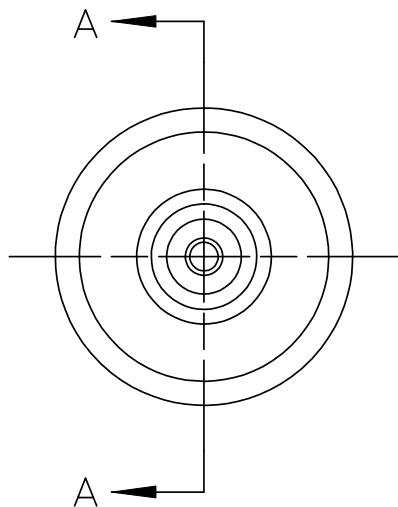


# DATA SHEET



SECTION A-A

NOTES:

- 1 COLLET ASSEMBLY 119943  
CONSISTS OF:  
119954 COLLET (NOT AVAILABLE  
SEPARATELY)  
119951 RELEASE  
119958 EJECTOR  
121900 LOCKING SCREW
- 2 RELEASE & EJECTOR KIT  
119949 CONSISTS OF:  
119951 RELEASE  
119958 EJECTOR

ASSEMBLE SLEEVE AND O-RINGS  
PER HUCK SPEC 42-491.

**Alcoa Fastening Systems**

Commercial Products  
1 Corporate Drive, Kingston, NY 12401

TYPE:	SELF-RELEASING	
FASTENER:	12MM HP10.9	
TOOL(S):	HP25	
Notes:	Product Revision:	<b>D</b>
US Patent:	Date: 07/16/03	

99-6400

Part Number