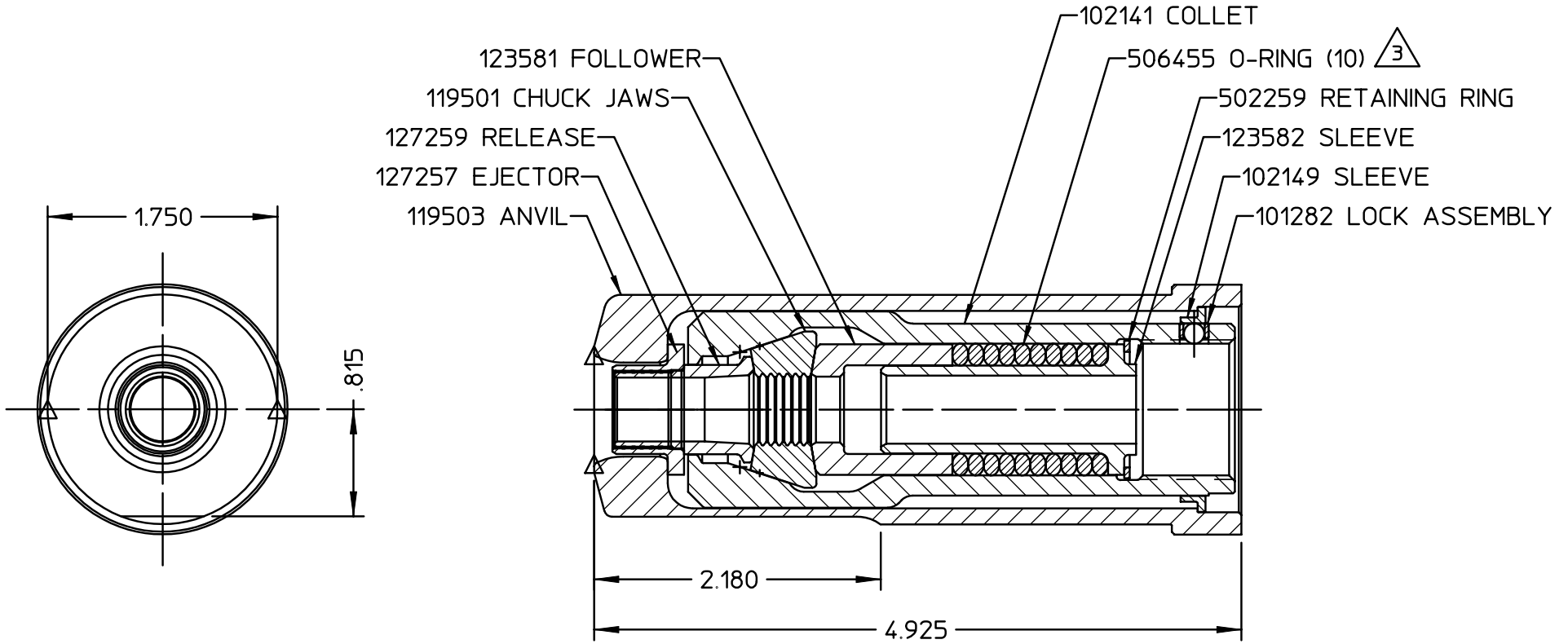


DATA SHEET



NOTES:

- 1 COLLET ASSEMBLY 119536 CONSISTS OF:
102141 COLLET (NOT AVAILABLE SEPARATELY).
101282 LOCK ASSEMBLY
127259 RELEASE
127257 EJECTOR
- 2 RELEASE AND EJECTOR KIT 119118 CONSISTS OF:
127257 EJECTOR (NOT AVAILABLE SEPARATELY)
127259 RELEASE (NOT AVAILABLE SEPARATELY)
- 3 ASSEMBLE SLEEVE AND O-RINGS PER
HUCK SPEC. 42-491.
- 4 RELEASE AND EJECTOR TOOL PART# 124751
OPTIONALLY AVAILABLE

Alcoa Fastening Systems

Commercial Products
1 Corporate Drive, Kingston, NY 12401

NOSE TYPE: SELF-RELEASING

FASTENER TYPE: 12mm MHP10.9

TOOL(S): 5900, 5901

Notes:

Product Revision: **B**

US Patent:

Date: 11/13/2003

99-5406

Part Number