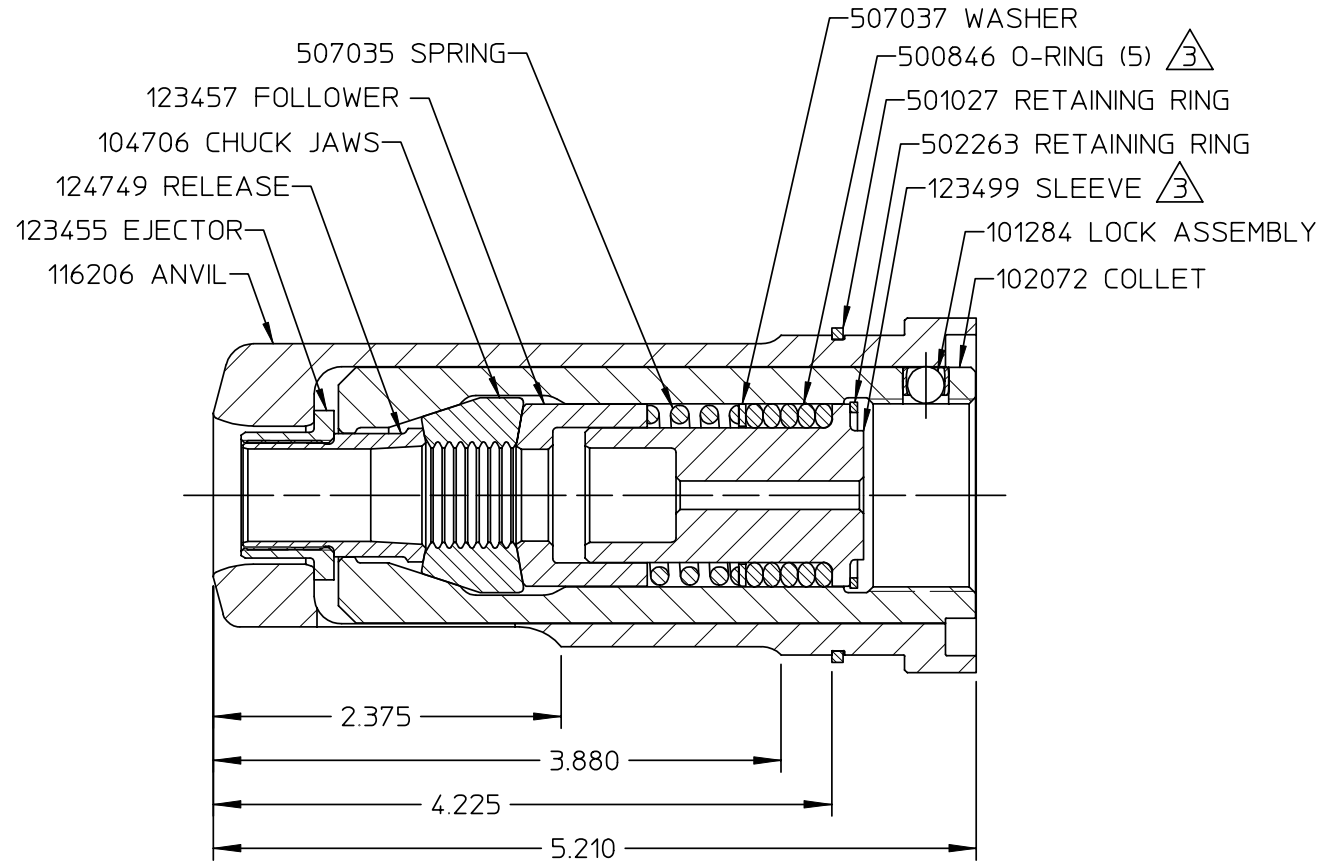
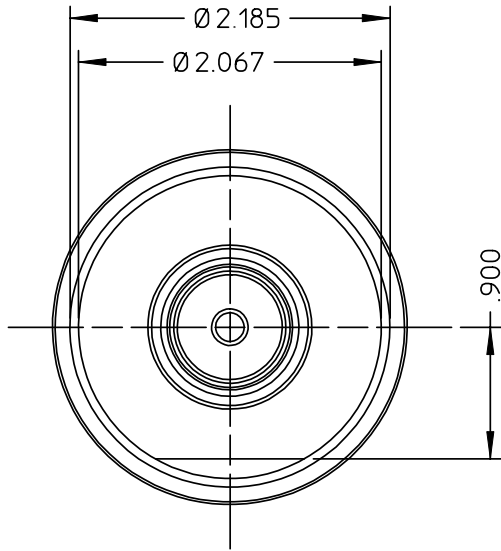


# DATA SHEET



NOTES:

- COLLET AND LOCK ASSEMBLY 123458 CONSISTS OF:  
COLLET 102072, NOT AVAILABLE SEPARATLY  
LOCK ASSEMBLY 101284,  
RELEASE 124749,  
EJECTOR 123455.
- RELEASE AND EJECTOR KIT 123459 CONSISTS OF:  
RELEASE 124749,  
EJECTOR 123455.
- $\triangle 3$  ASSEMBLE SLEEVE AND O-RINGS PER HUCK SPEC. 42-491.
- SHIP WITH CAUTION TAG 590152.
- RELEASE AND EJECTOR ASSEMBLY TOOL  
124751 OPTIONALLY AVAILABLE.

**Alcoa Fastening Systems**

Commercial Products  
1 Corporate Drive, Kingston, NY 12401

NOSE TYPE:	SELF-RELEASING
FASTENER TYPE:	-20, 16MM HP8, MHP10.9
TOOL(S):	585, 586

Notes:	Product Revision: <b>B</b>
US Patent:	Date: 06/17/03

99-5301

Part Number