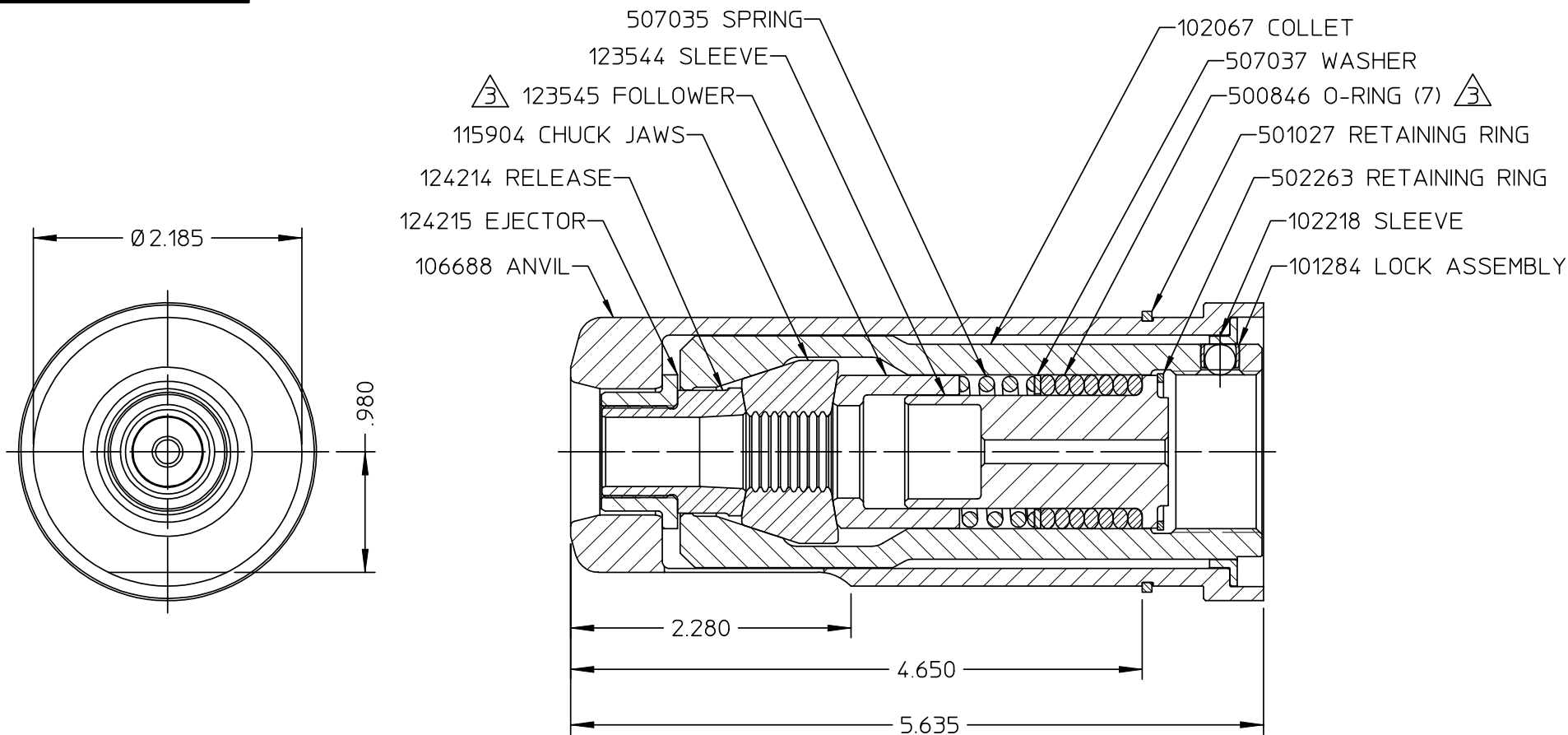


# DATA SHEET



NOTES:

1 COLLET AND LOCK ASSEMBLY 124217 CONSISTS OF:  
COLLET 102067, (NOT AVAILABLE SEPARATELY,  
LOCK ASSEMBLY 101284,  
EJECTOR 124215 AND  
RELEASE 124753.

2 RELEASE AND EJECTOR KIT 124216 CONSISTS OF:  
RELEASE 124753 AND  
EJECTOR 124215.

$\triangle$  ASSEMBLE SLEEVE AND O-RINGS PER HUCK SPEC. 42-491.

4 SHIP WITH CAUTION TAG 590152.

5 RELEASE AND EJECTOR ASSEMBLY TOOL  
124751 OPTIONALLY AVAILABLE.

**Alcoa Fastening Systems**

Commercial Products  
1 Corporate Drive, Kingston, NY 12401

TYPE: SELF-RELEASING

FASTENER: -24 BOM

TOOL(S): 505, 585, 586

Notes:

Product  
Revision: **B**

US Patent:

Date: 07/15/03

99-5103

Part Number