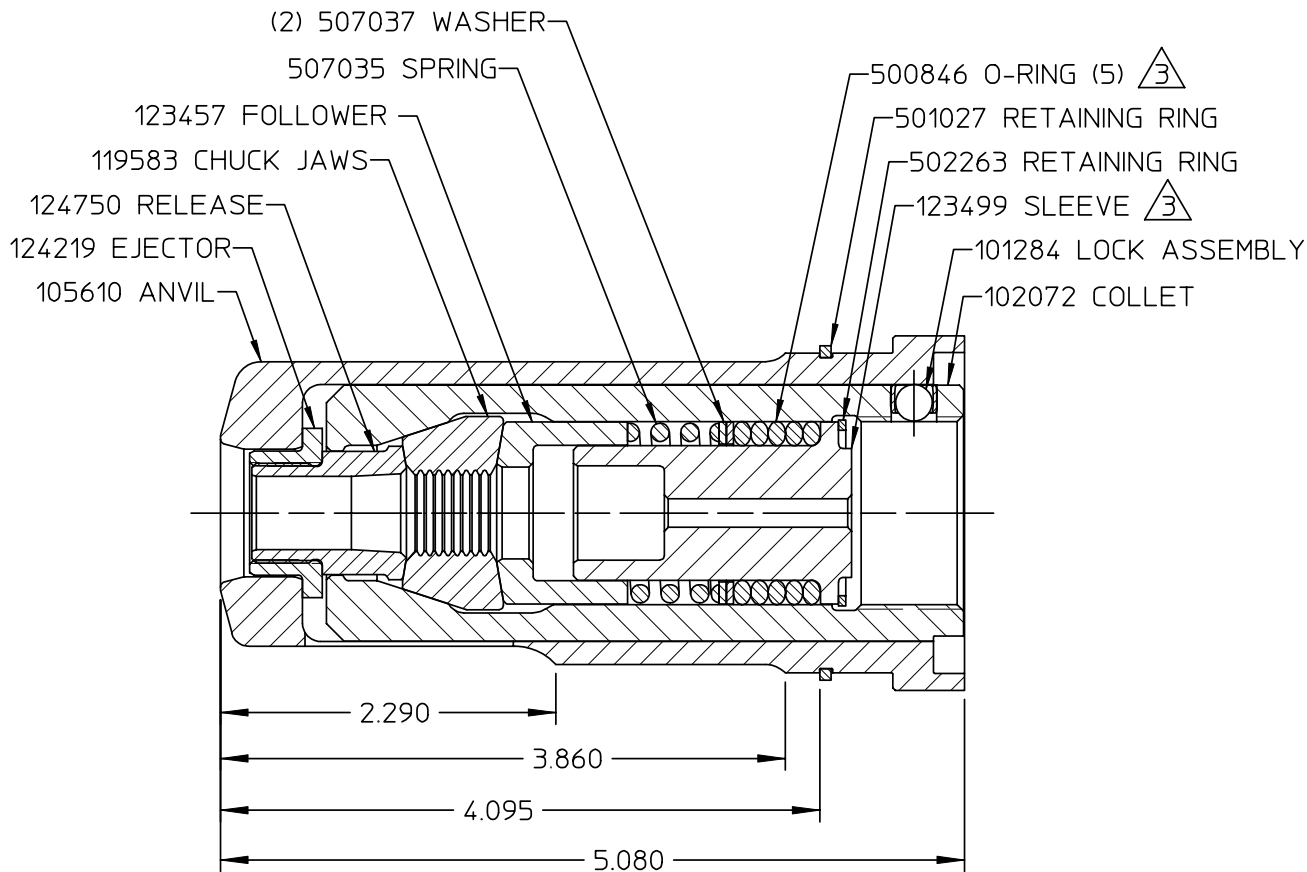
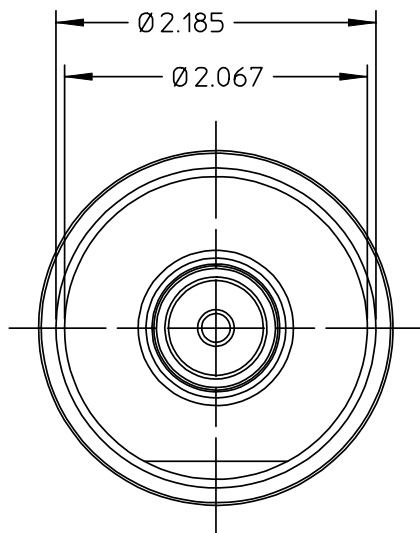


DATA SHEET



NOTES:

1 COLLET AND LOCK ASSEMBLY 124221 CONSISTS OF:
COLLET 102072, NOT AVAILABLE SEPARATLY
LOCK ASSEMBLY 101284,
RELEASE 124750,
EJECTOR 124219.

2 RELEASE AND EJECTOR KIT 124220 CONSISTS OF:
RELEASE 124750,
EJECTOR 124219.

$\triangle 3$ ASSEMBLE SLEEVE AND O-RINGS PER HUCK SPEC. 42-491.

4 SHIP WITH CAUTION TAG 590152.

5 RELEASE AND EJECTOR ASSEMBLY TOOL
124751 OPTIONALLY AVAILABLE.

Alcoa Fastening Systems

Commercial Products
1 Corporate Drive, Kingston, NY 12401

NOSE TYPE: SELF-RELEASING

FASTENER TYPE: -20 BOM

TOOL(S): 505, 585, 586

Notes:

Product Revision: **B**

US Patent:

Date: 06/18/03

99-5102

Part Number