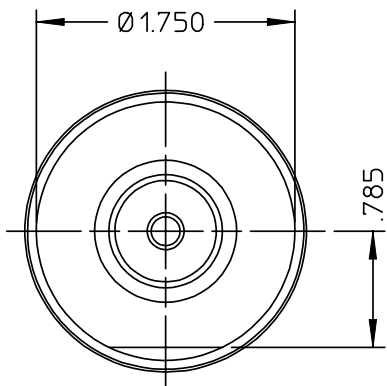
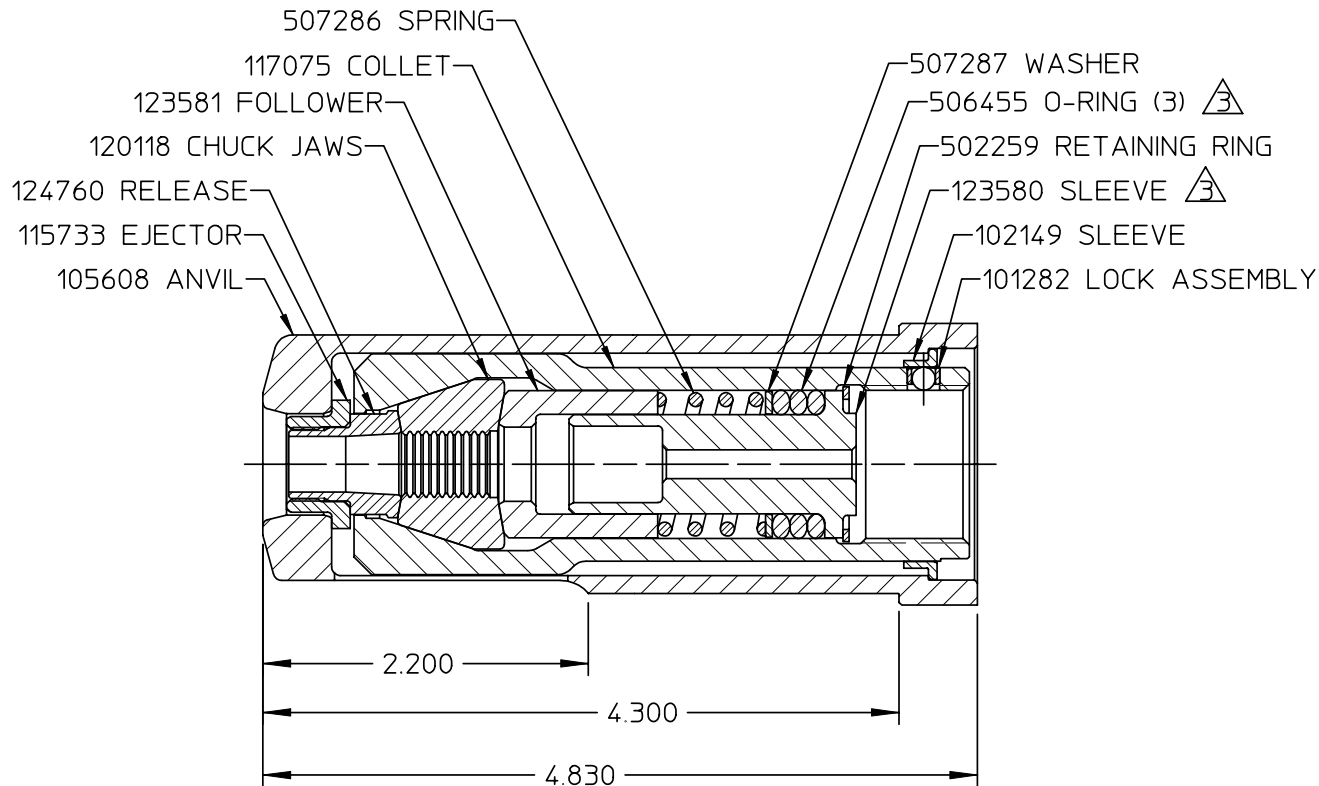


DATA SHEET



NOTES:

- 1 COLLET AND LOCK ASSEMBLY 124228 CONSISTS OF:
COLLET 117075, NOT AVAILABLE SEPARATELY,
LOCK ASSEMBLY 101282,
RELEASE 124760 AND
EJECTOR 115733.
- 2 RELEASE AND EJECTOR KIT 124227 COSISTS OF:
RELEASE 124760 AND
EJECTOR 115733.
- \triangle ASSEMBLE SLEEVE AND O-RINGS PER HUCK SPEC. 42-491.
- 4 SHIP WITH CAUTION TAG 590152.
- 5 RELEASE AND EJECTOR ASSEMBLY TOOL
124751 OPTIONALLY AVAILABLE.

Alcoa Fastening Systems

Commercial Products
1 Corporate Drive, Kingston, NY 12401

99-5100

Part Number

TYPE: SELF-RELEASING	
FASTENER: -16 BOM	
TOOL(S): 504, FE5901	
Notes:	Product Revision: C
US Patent:	Date: 07/15/03