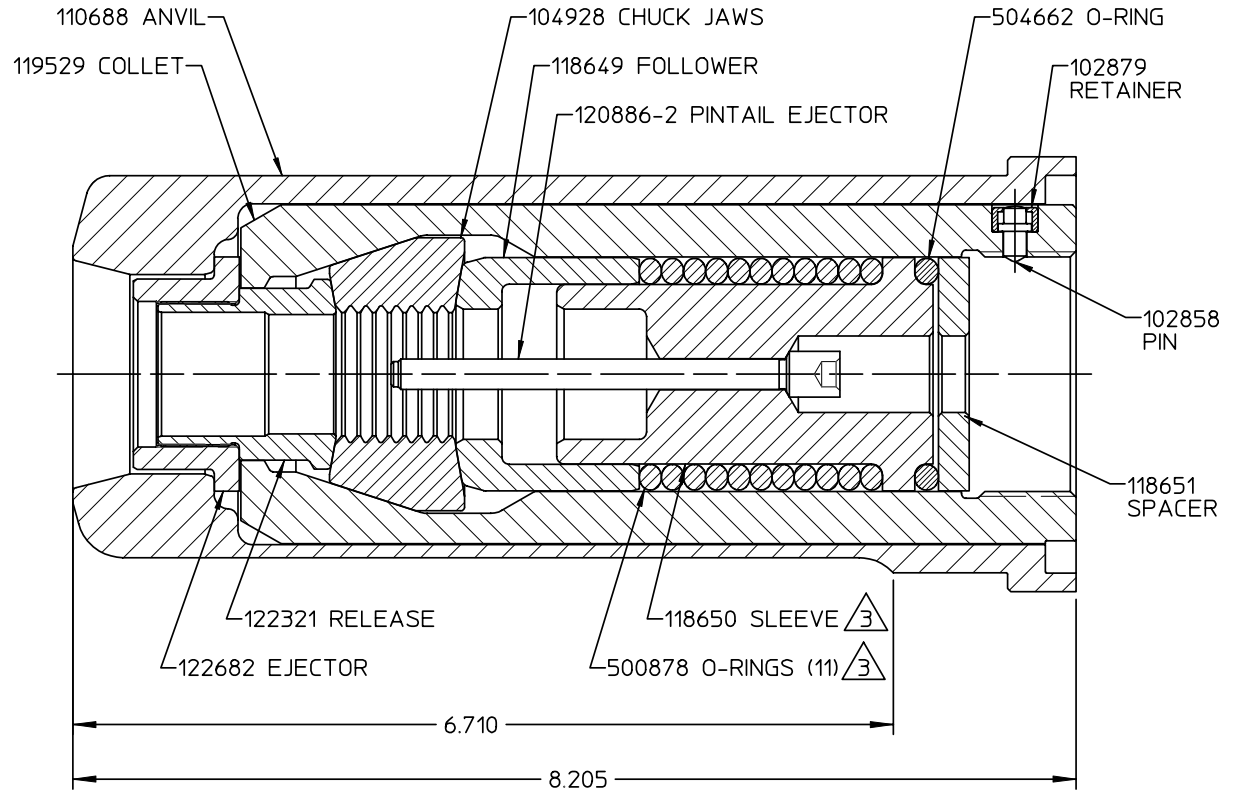
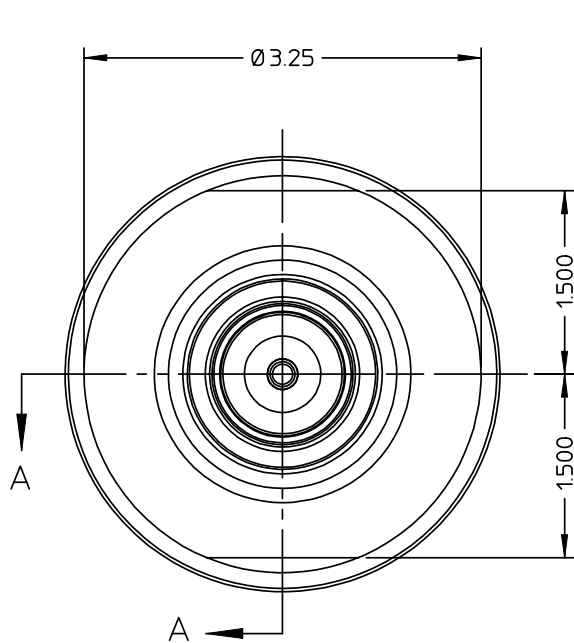


DATA SHEET



SECTION A-A

NOTES:

- 1 RELEASE & EJECTOR KIT P/N 122684 CONSISTS OF:
122321 RELEASE
122682 EJECTOR
503657 LOCTITE
- 2 COLLET & LOCK ASSEMBLY 119531 CONSISTS OF:
119529 COLLET (NOT AVAILABLE SEPARATELY)
102858 COLLET LOCK PIN
102879 RETAINER
122321 RELEASE
122682 EJECTOR

ASSEMBLE SLEEVE AND O-RINGS PER HUCK SPEC 42-491.

Alcoa Fastening Systems

Commercial Products
1 Corporate Drive, Kingston, NY 12401

99-5020	Part Number	TYPE:	SELF-RELEASING
		FASTENER:	-36 C50L
		TOOL(S):	507
		Notes:	Product Revision: A
		US Patent:	Date: 07/15/03