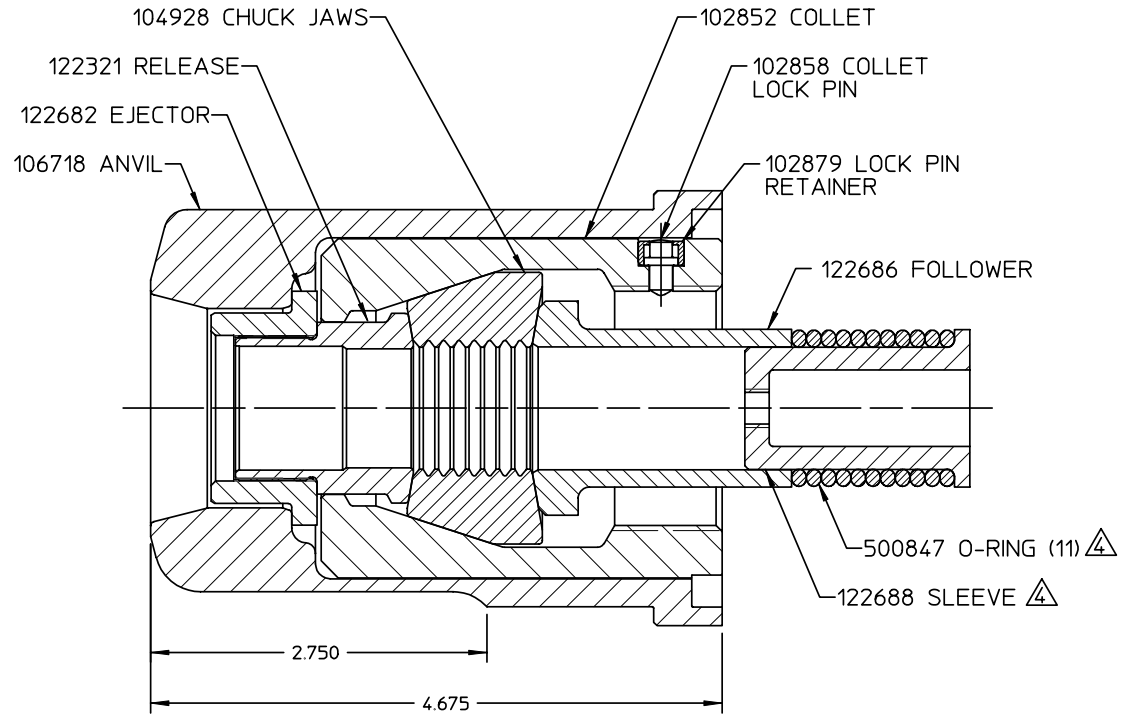
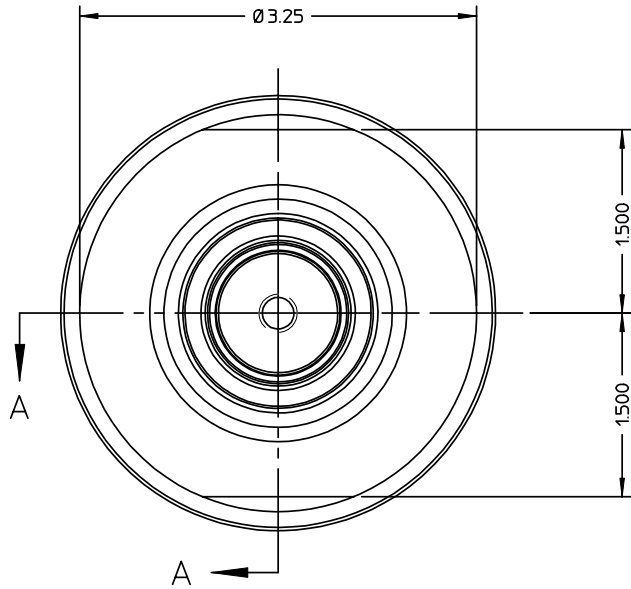


# DATA SHEET



SECTION A-A

NOTES:

- 1 COLLET & LOCK ASSEMBLY P/N 110363 CONSISTS OF:  
102852 COLLET (NOT AVAILABLE SEPARATELY).  
102858 COLLET LOCK PIN  
102879 RETAINER  
122321 RELEASE  
122682 EJECTOR
  - 2 RELEASE & EJECTOR KIT P/N 122684 CONSISTS OF:  
122321 RELEASE  
122682 EJECTOR  
503657 LOCTITE
  - 3 SHIP WITH CAUTION TAG P/N 590152.
- △ ASSEMBLE SLEEVE & O-RINGS PER HUCK SPEC 42-491.

**Alcoa Fastening Systems**

Commercial Products  
1 Corporate Drive, Kingston, NY 12401

TYPE:	SELF-RELEASING
FASTENER:	-36 C50L
TOOL(S):	507
Notes:	Product Revision: <b>A</b>
US Patent:	Date: 07/15/03

99-5019

Part Number