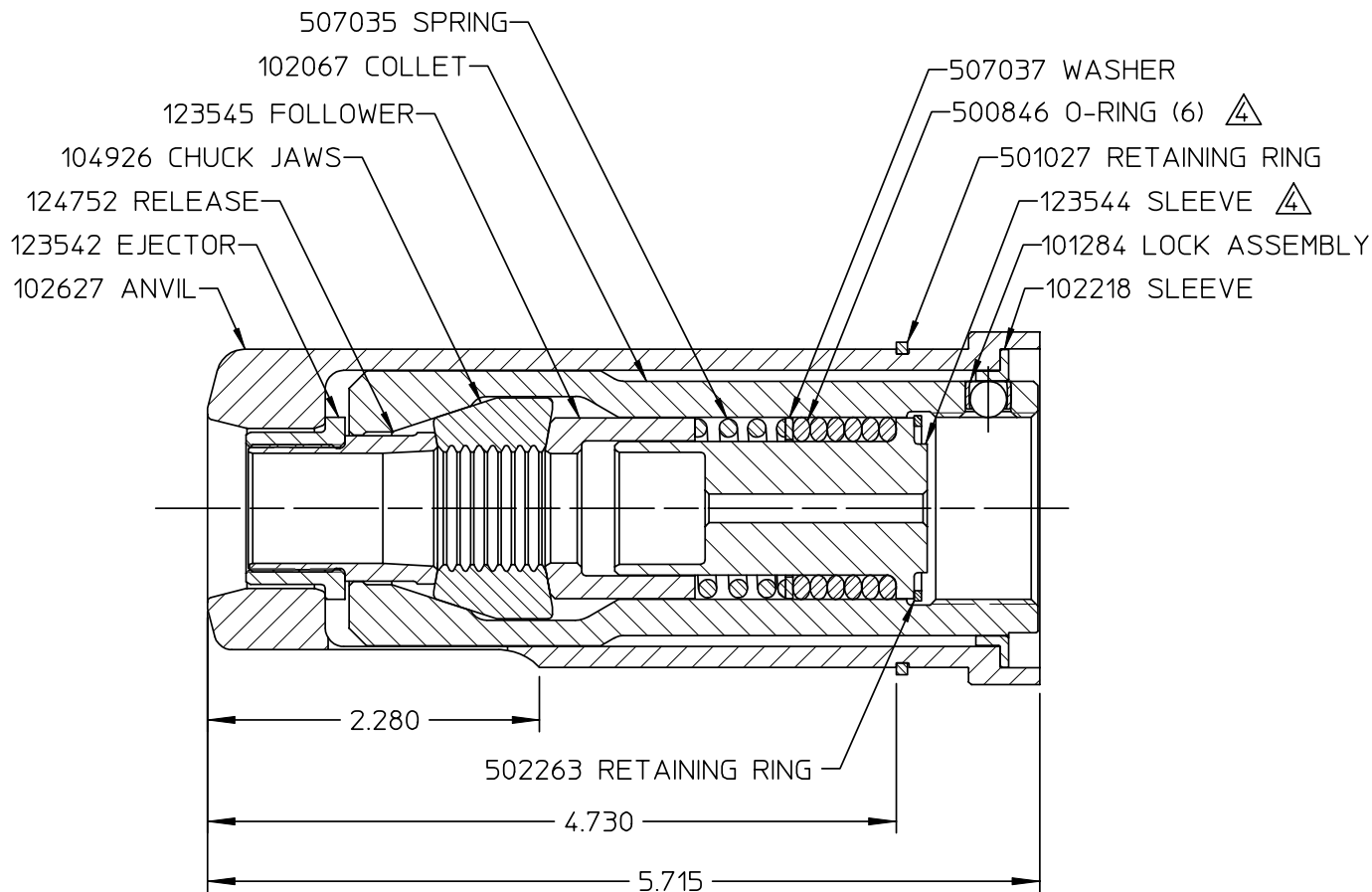
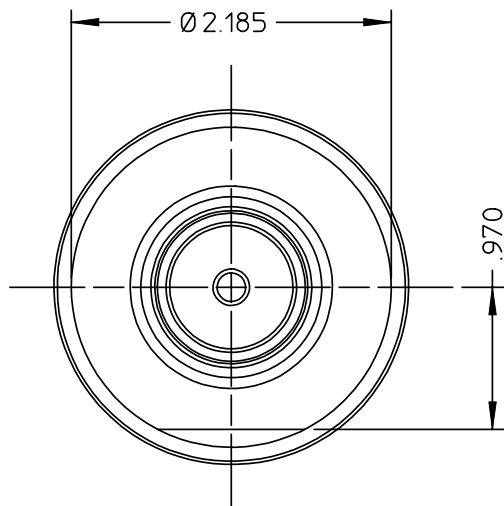


# DATA SHEET



NOTES:

1 COLLET AND LOCK ASSEMBLY 123547 CONSISTS OF:  
102067 COLLET, (NOT AVAILABLE SEPARATELY).  
101284 LOCK ASSEMBLY  
123542 EJECTOR  
124752 RELEASE

2 RELEASE AND EJECTOR KIT 123546 CONSISTS OF:  
124752 RELEASE  
123542 EJECTOR

3 SHIP WITH CAUTION TAG 590152.

$\triangle$  ASSEMBLE SLEEVE AND O-RINGS PER HUCK SPEC. 42-491.

5 RELEASE AND EJECTOR ASSEMBLY TOOL 124751  
OPTIONALLY AVAILABLE.

**Alcoa Fastening Systems**

Commercial Products  
1 Corporate Drive, Kingston, NY 12401

NOSE TYPE: SELF-RELEASING

FASTENER TYPE: -24 C50L

TOOL(S): 505, 585, 586

Notes:

Product Revision: **B**

US Patent:

Date: 06/18/03

99-5010

Part Number