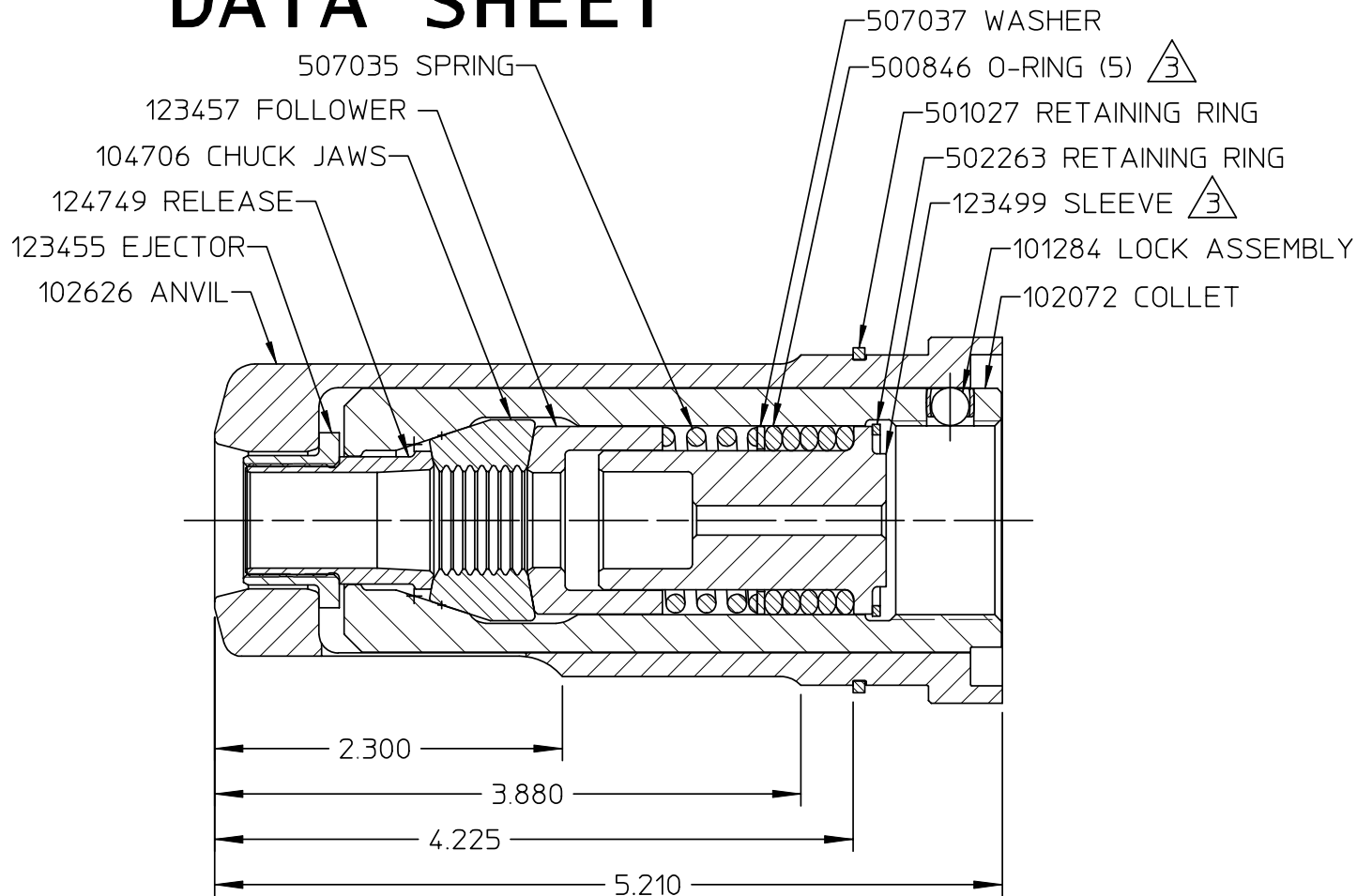
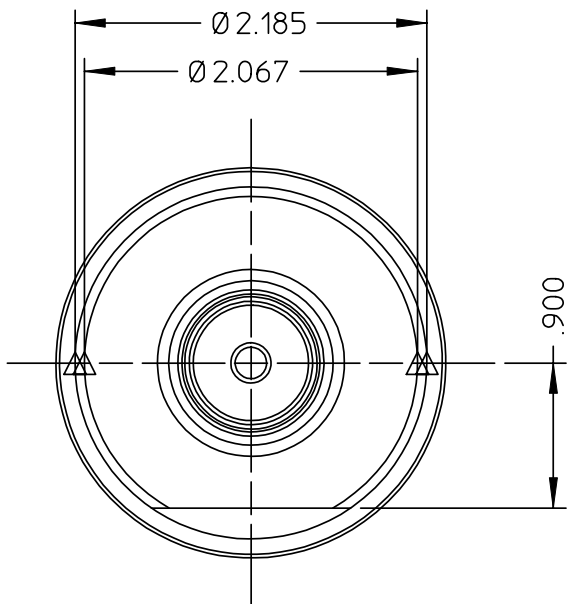


DATA SHEET



NOTES:

- 1 COLLET AND LOCK ASSEMBLY 123458 CONSISTS OF:
COLLET 102072, NOT AVAILABLE SEPARATLY
LOCK ASSEMBLY 101284,
RELEASE 124749,
EJECTOR 123455.
- 2 RELEASE AND EJECTOR KIT 123459 CONSISTS OF:
RELEASE 124749,
EJECTOR 123455.
- $\triangle 3$ ASSEMBLE SLEEVE AND O-RINGS PER HUCK SPEC. 42-491.
- 4 SHIP WITH CAUTION TAG 590152.
- 5 RELEASE AND EJECTOR ASSEMBLY TOOL 124751 OPTIONALLLY AVAILABLE.

Alcoa Fastening Systems

Commercial Products
1 Corporate Drive, Kingston, NY 12401

NOSE TYPE: SELF-RELEASING

FASTENER TYPE: -20 C50L

TOOL(S): 505, 585, 586

Notes:

Product Revision: **B**

US Patent:

Date: 06/17/03

99-5008

Part Number