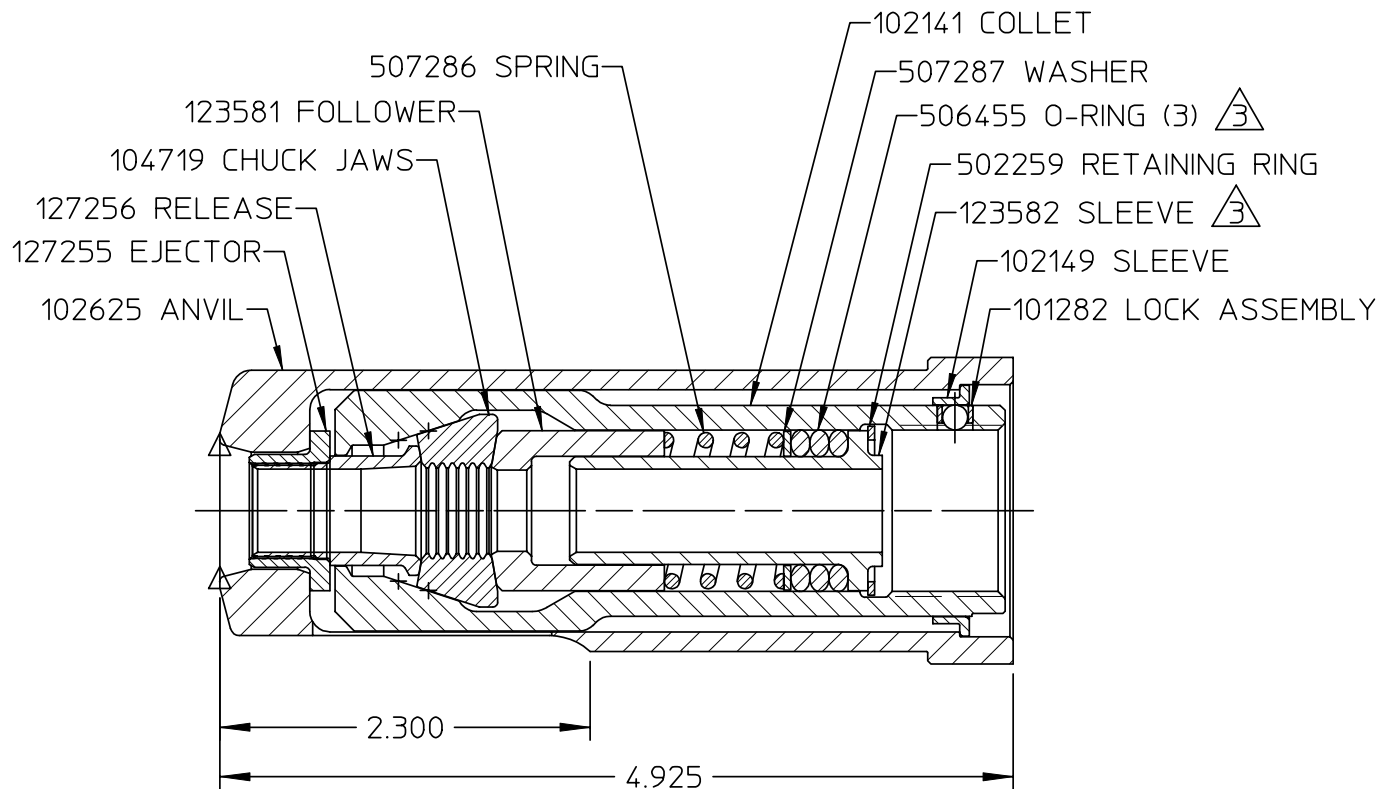
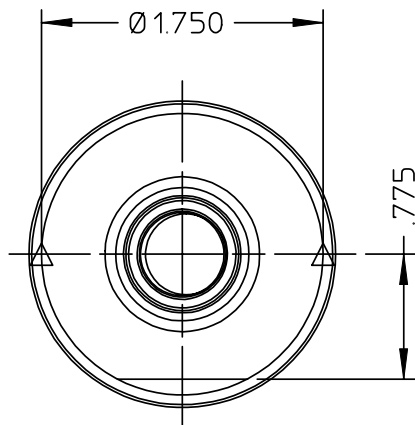


DATA SHEET



NOTES:

- 1 COLLET AND LOCK ASSEMBLY 116469 CONSISTS OF:
COLLET 102141, NOT AVAILABLE SEPARATELY,
LOCK ASSEMBLY 101282,
RELEASE 127256
EJECTOR 127255.
- 2 RELEASE AND EJECTOR KIT 123584 CONSISTS OF:
RELEASE 127256 (NOT AVAILABLE SEPARATELY)
EJECTOR 127255 (NOT AVAILABLE SEPARATELY)

\triangle ASSEMBLE SLEEVE AND O-RINGS PER HUCK SPEC. 42-491.

4 SHIP WITH CAUTION TAG 590152.

5 RELEASE AND EJECTOR TOOL PART# 124751
OPTIONALLY AVAILABLE

Alcoa Fastening Systems

Commercial Products
1 Corporate Drive, Kingston, NY 12401

NOSE TYPE: SELF-RELEASING

FASTENER TYPE: -16 C50L

TOOL(S): 5901

Notes:

Product Revision: **C**

US Patent:

Date: 06/10/03

99-5002

Part Number