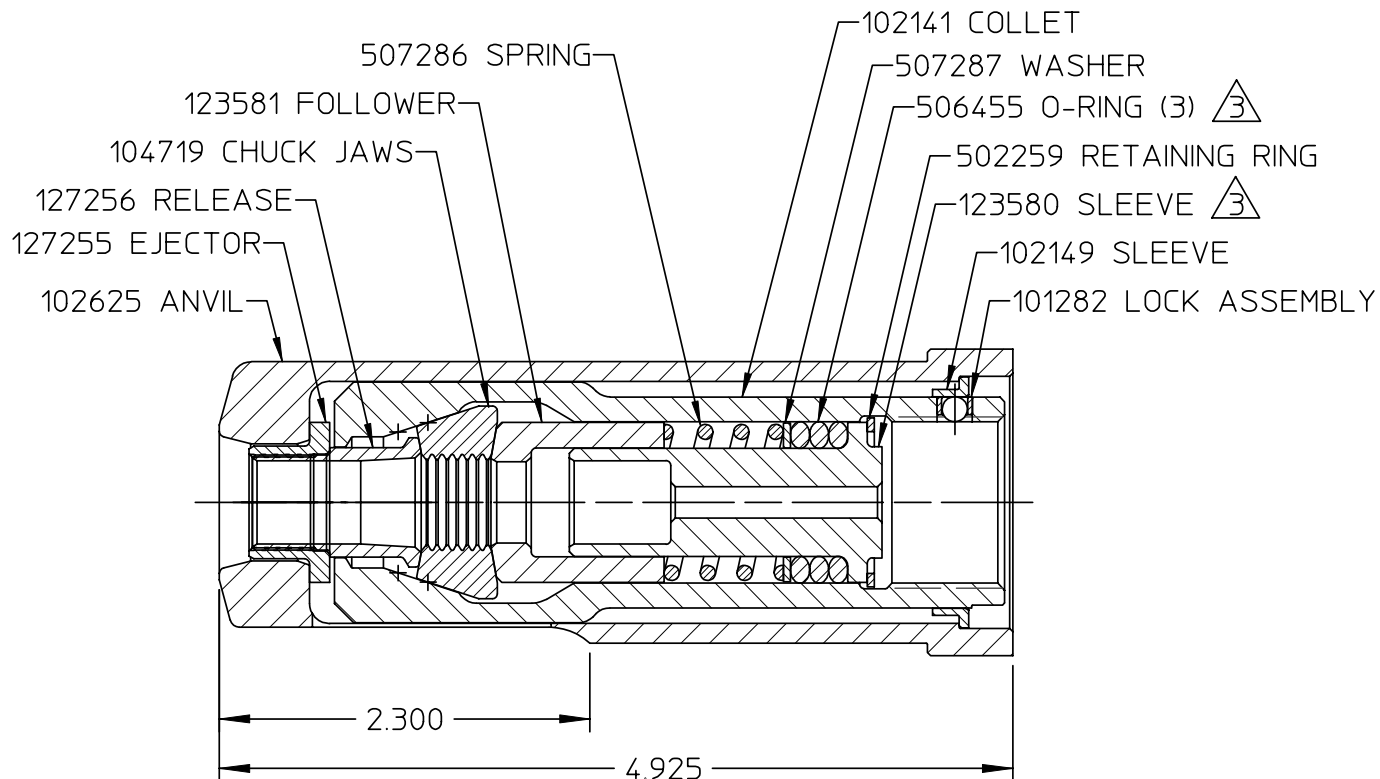
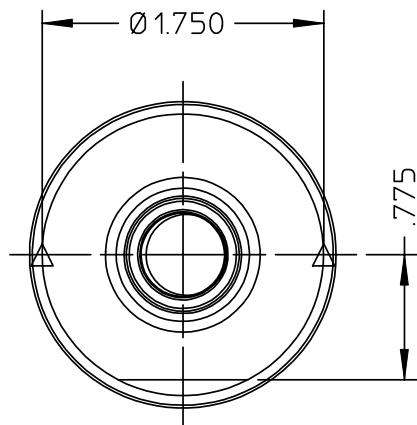


# DATA SHEET



NOTES:

- 1 COLLET AND LOCK ASSEMBLY 116469 CONSISTS OF:  
COLLET 102141, NOT AVAILABLE SEPARATELY,  
LOCK ASSEMBLY 101282,  
RELEASE 127256  
EJECTOR 127255
- 2 RELEASE AND EJECTOR KIT 123584 CONSISTS OF:  
RELEASE 127256 (NOT AVAILABLE SEPARATELY)  
EJECTOR 127255 (NOT AVAILABLE SEPARATELY)

- $\triangle$  ASSEMBLE SLEEVE AND O-RINGS PER HUCK SPEC. 42-491.
- 4 SHIP WITH CAUTION TAG 590152.
- 5 RELEASE AND EJECTOR TOOL PART# 124751  
OPTIONALLY AVAILABLE

**Alcoa Fastening Systems**

Commercial Products  
1 Corporate Drive, Kingston, NY 12401

NOSE TYPE: SELF-RELEASING

FASTENER TYPE: -16 C50L

TOOL(S): FE5901, 504

Notes:

Product Revision: **C**

US Patent:

Date: 06/10/03

99-5000

Part Number