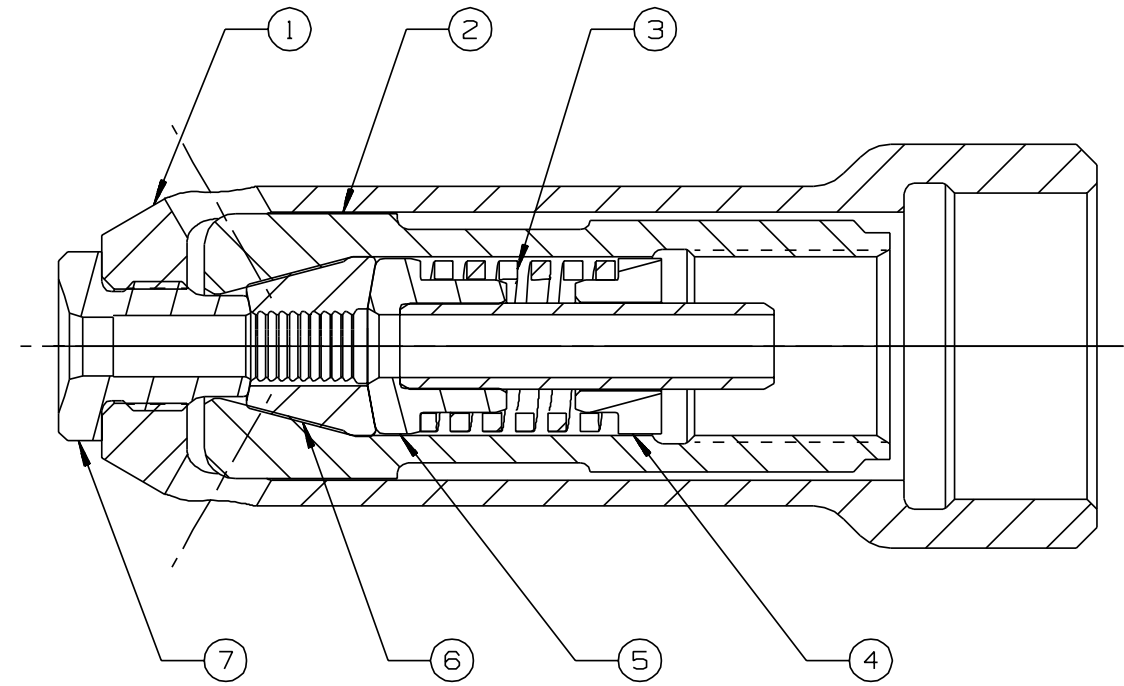
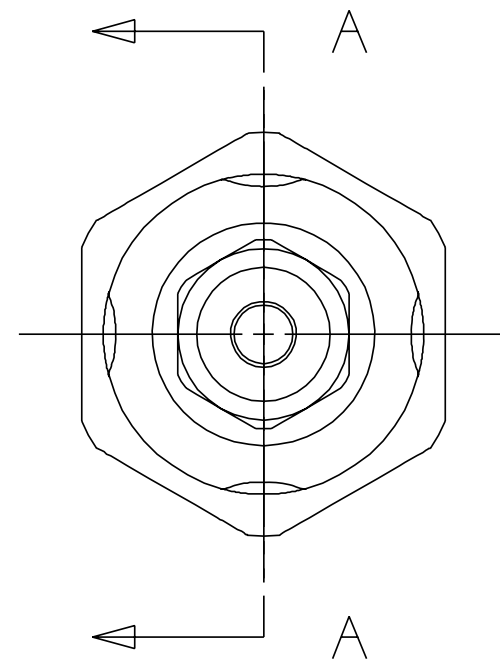


REV	DESCRIPTION	DATE
C	MODELED IN UG	12/14/06



SECTION A - A

116907	1	ANVIL INSERT	7
128347	1	CHUCK JAWS	6
116911	1	FOLLOWER	5
116912	1	CAP	4
123877	1	SPRING	3
126122	1	COLLET	2
126123	1	ANVIL HOLDER	1
PART NO.	QTY	DESCRIPTION	ITEM

HUCK INTERNATIONAL, INC., I.S.D.  
1 CORPORATE DR., P.O. BOX 2270  
KINGSTON, NEW YORK 12401

NOSE ASSEMBLY  
HEAVY DUTY -08 MGB

DET: NDG OK: DATE: 04/10/00 SCALE: 2:1

FOC.  
FAC.

B

99-3478