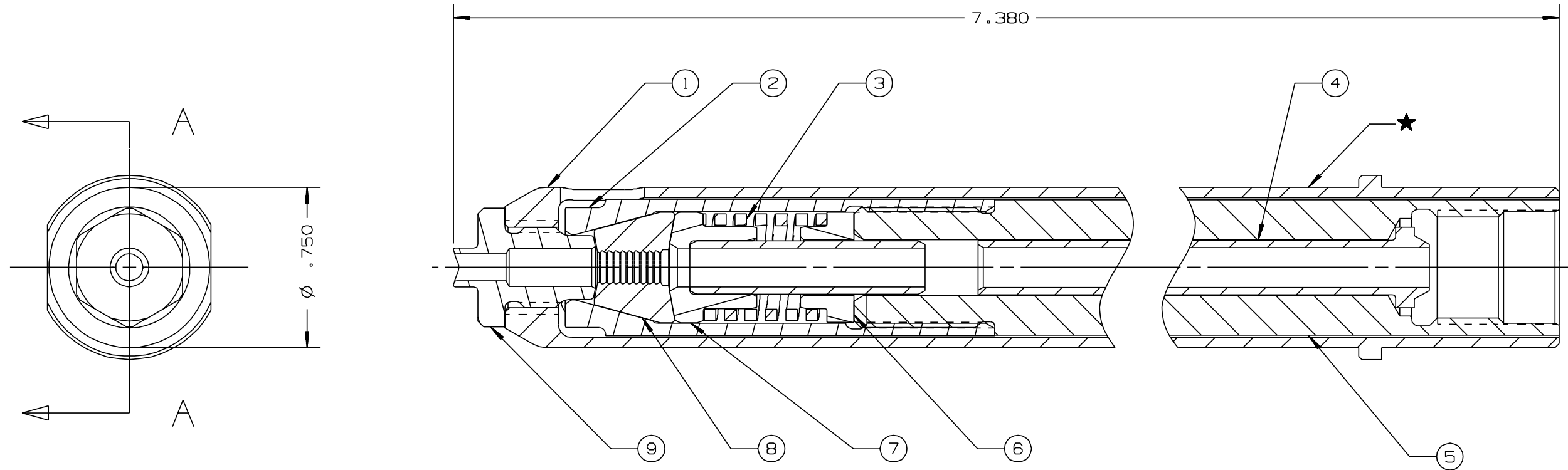


REV	DESCRIPTION	DATE
C	MODELED IN UG	12/14/06



SECTION A - A

124153	1	ANVIL INSERT	9
128346	1	CHUCK JAWS	8
116911	1	FOLLOWER	7
116912	1	CAP	6
124358	1	EXTENSION	5
122023	1	PINTAIL TUBE	4
123877	1	SPRING	3
116909	1	COLLET	2
116910-1	1	ANVIL HOLDER	1
PART NO.	QTY	DESCRIPTION	ITEM

HUCK INTERNATIONAL, INC., I.S.D.
1 CORPORATE DR., P.O. BOX 2270
KINGSTON, NEW YORK 12401

NOSE ASSEMBLY
-06 PEEL RIVET

DET: NDG OK: DATE: 7/14/03 SCALE: 2:1

FOC.
FAC.

B

99-3461