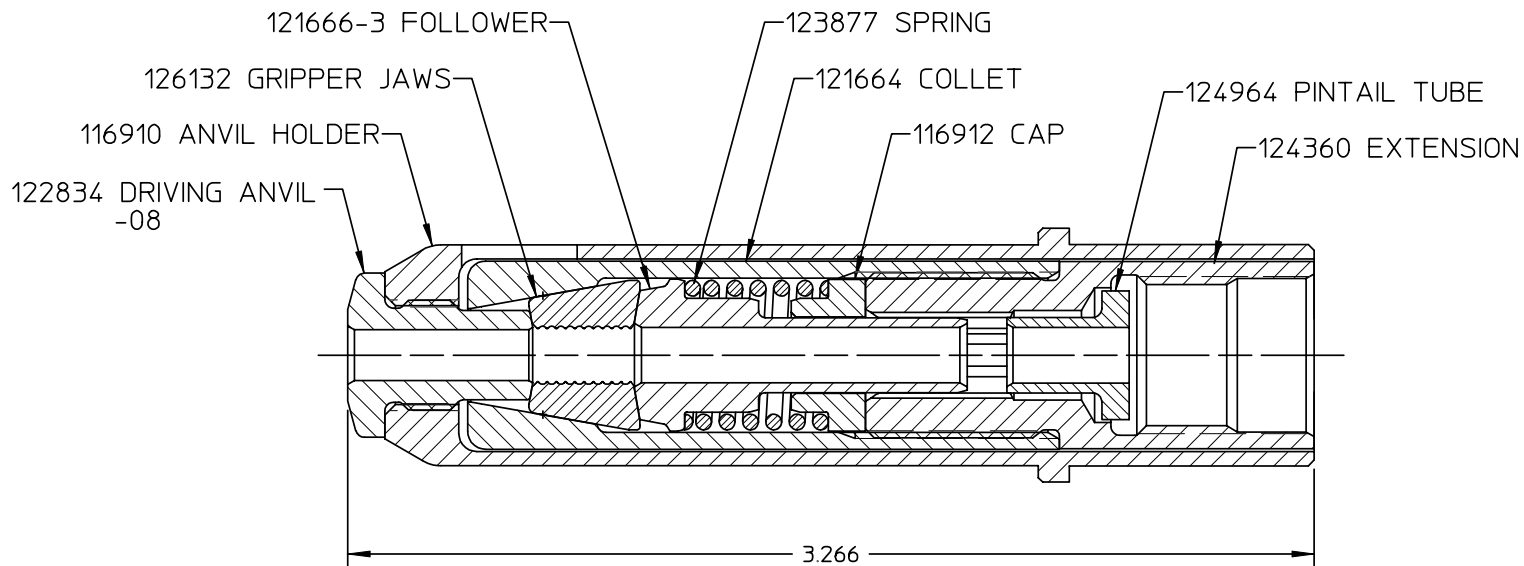
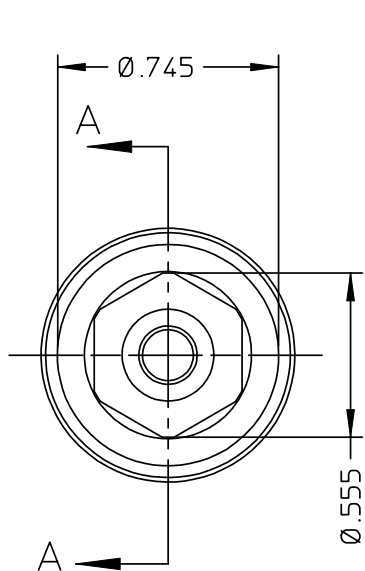
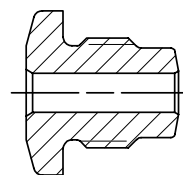


DATA SHEET



SECTION A-A



122835 DRIVING ANVIL
-06

Alcoa Fastening Systems

Commercial Products
1 Corporate Drive, Kingston, NY 12401

99-3445-68 Part Number	TYPE:	SELF-RELEASING	
	FASTENER:	-06 & -08 NAIL	
	TOOL(S):	202, 212, 230, 2400	
	Notes: OBSOLETE SUPERSEDED BY: 99-3487	Product Revision:	E
US Patent:	Date:	07/15/03	

NOTES:

1 SHIP DRIVING ANVIL 122835 IN SEPARATE BAG.