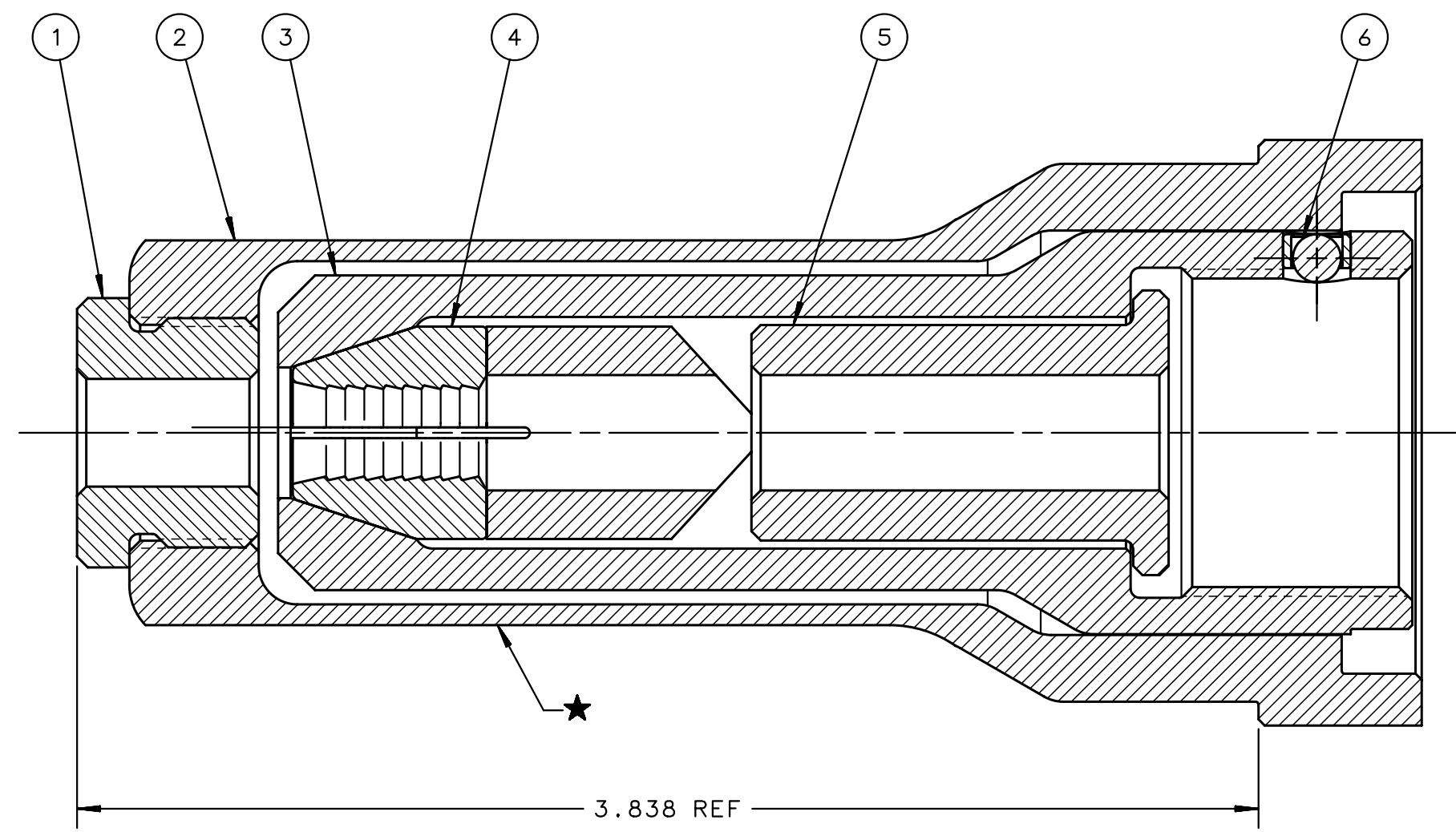
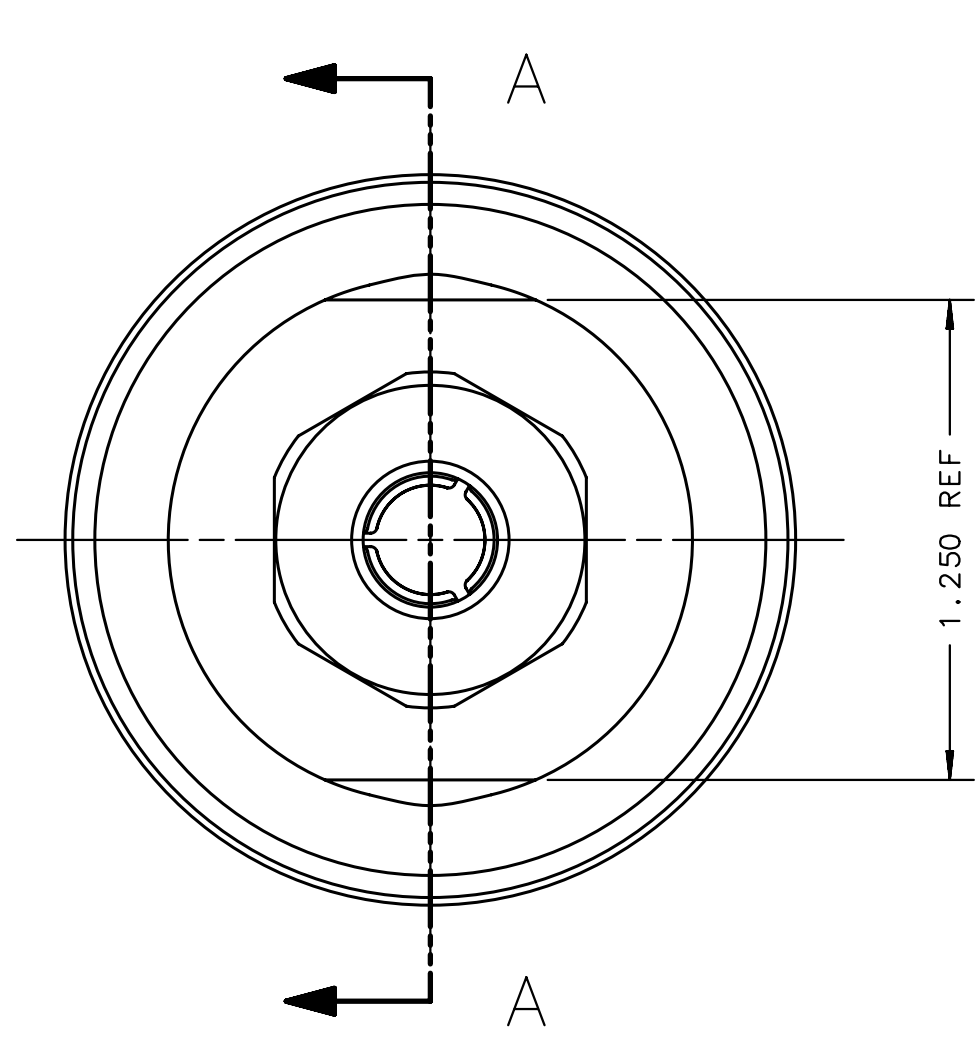
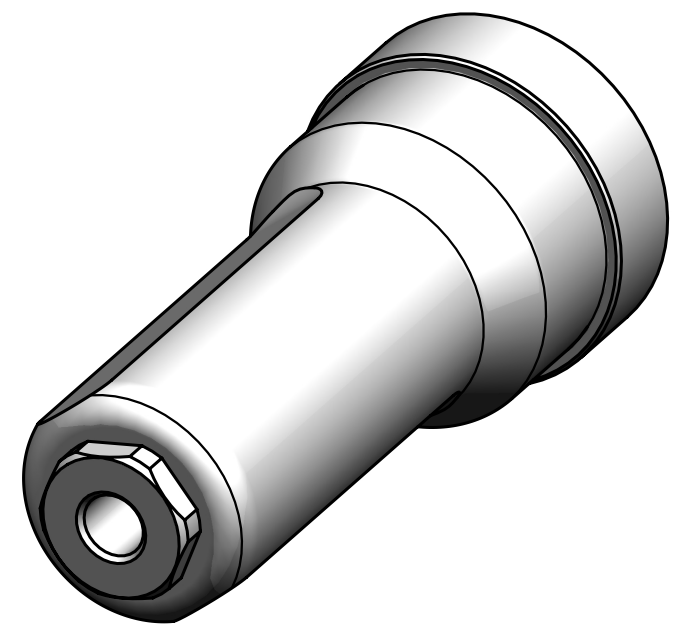


REV	DESCRIPTION	DET	DATE
A	RELEASE	EL	12/28/11



SECTION A-A



101282	1	BALL LOCK ASSEMBLY	6
130068	1	SPACER	5
129655	1	-16 MGL UNITIZED JAW	4
130069	1	COLLET	3
130070	1	ANVIL	2
129656	1	ANVIL INSERT	1
PART NO.	QTY	DESCRIPTION	ITEM

IDENTIFICATION PER SPEC 42-311: ★ PERMANENT	HUCK INTERNATIONAL, INC., I.S.D 1 CORPORATE DR KINGSTON, NEW YORK 12401		
ITAR/ECCN: EAR99	NOSE ASSEMBLY -16 STAINLESS STEEL MGL		
SCH B#: 8467.99.0190	FINAL ASSY: FOR USE WITH 2620/2620PT		
HTS: 8467.99.0190	ENG: NDG	CK:	DATE: 11/16/10 SCALE: 2:1

**B** **99-3331**