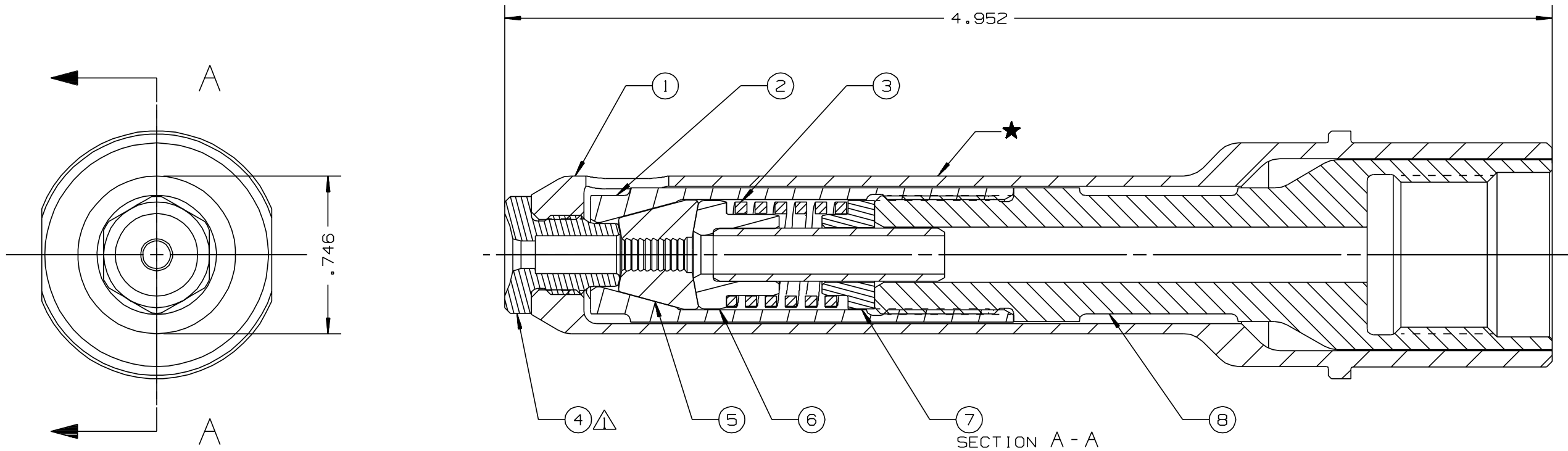


REV	DESCRIPTION	DATE
D	124728 REPLACED BY 128346	12/05/06

NOTES:

△ FLAT FACE INSERT, FOR COUNTERSUNK PRODUCT, OPTIONALLY AVAILABLE, PART# 117841.



126110	1	EXTENSION	8
116912	1	CAP	7
116911	1	FOLLOWER	6
128346	1	CHUCK JAWS	5
117564	1	ANVIL INSERT	4
123877	1	SPRING	3
116909	1	COLLET	2
126860	1	ANVIL HOLDER	1
PART NO.	QTY.	DESCRIPTION	ITEM

HUCK INTERNATIONAL, INC., I.S.D.  
1 CORPORATE DR., P.O. BOX 2270  
KINGSTON, NEW YORK 12401

NOSE ASSEMBLY  
-06 MGL

DET: NDG OK: DATE: 06/10/03 SCALE: 2:1

FOC.  
FAC.

B

99-3327