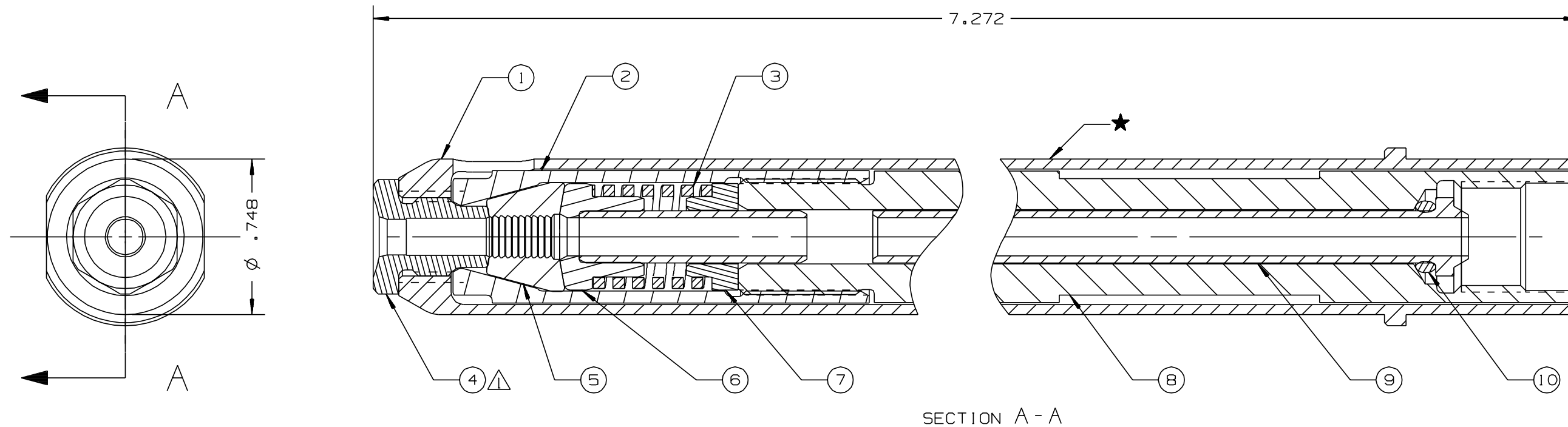


REV	DESCRIPTION	DATE
G	124729 REPLACED BY 128347	12/05/06

NOTES:

△ FLAT FACE INSERT, FOR COUNTERSUNK PRODUCT,
OPTIONALYLYL AVAILABLE, PART# 117842



500775	1	O-RING	10
122023	1	PINTAIL TUBE	9
124358	1	EXTENSION	8
116912	1	CAP	7
116911	1	FOLLOWER	6
128347	1	CHUCK JAWS	5
116907	1	ANVIL INSERT	4
123877	1	SPRING	3
116909	1	COLLET	2
116910-1	1	ANVIL HOLDER	1
PART NO.	QTY.	DESCRIPTION	ITEM

HUCK INTERNATIONAL, INC., I.S.D.
1 CORPORATE DR., P.O. BOX 2270
KINGSTON, NEW YORK 12401

NOSE ASSEMBLY
-08 MGL LONG

DET: NDG CK: DATE: 11/02/05 SCALE: 2:1

FOC. FAC. B 99-3306