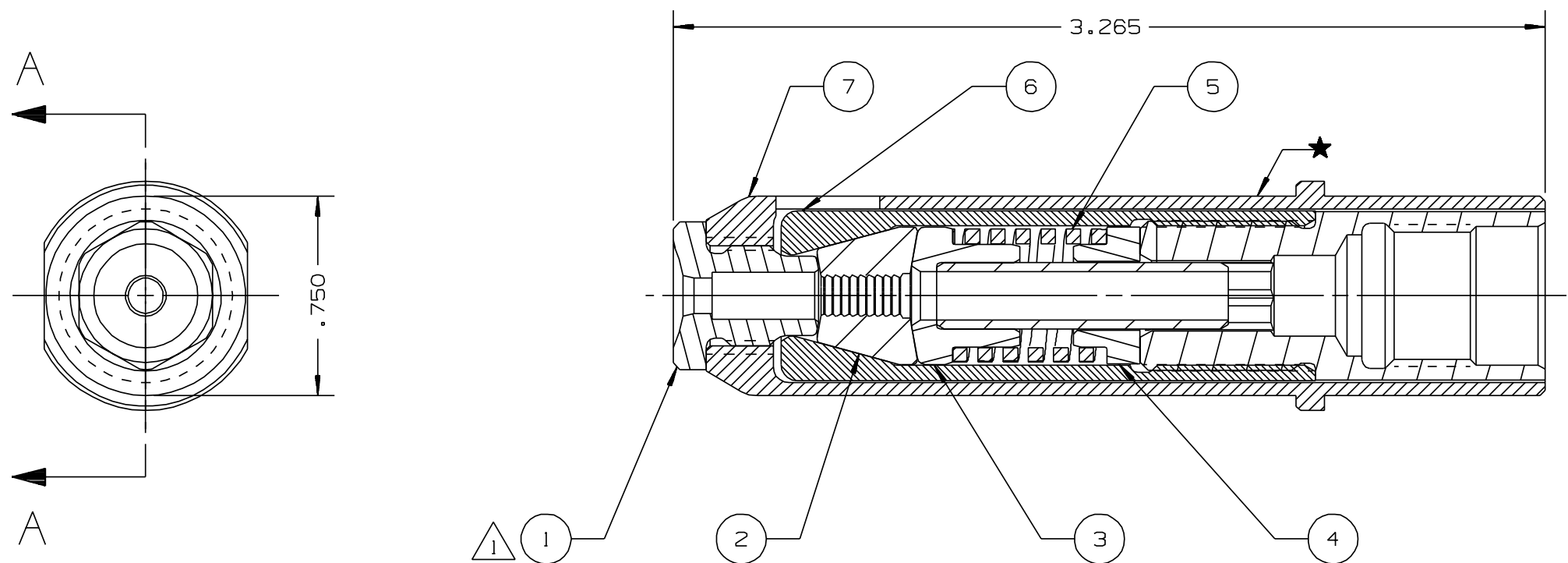


REV	DESCRIPTION	DATE
E	124728 REPLACED BY 128346	12/04/06



SECTION A - A

116910	1	ANVIL HOLDER	7
116909	1	COLLET	6
123877	1	SPRING	5
116912	1	CAP	4
116911	1	FOLLOWER	3
128346	1	CHUCK JAWS	2
117564	1	ANVIL INSERT	1
PART NO.	QTY	DESCRIPTION	ITEM

NOTES:

1. FLAT FACE INSERT, FOR COUNTERSUNK PRODUCTS, OPTIONALLY AVAILABLE, PART# 117841
2. IDENTIFICATION PER SPEC 42-311: ETCH

HUCK INTERNATIONAL, INC., I.S.D.
1 CORPORATE DR., P.O. BOX 2270
KINGSTON, NEW YORK 12401

NOSE ASSEMBLY -06 MGL STANDARD
SELF-RELEASING - 202L, 2480L

DET: NDG OK: DATE: 11/21/97 SCALE: 2:1

FOC. B 99-3303L
FAC.