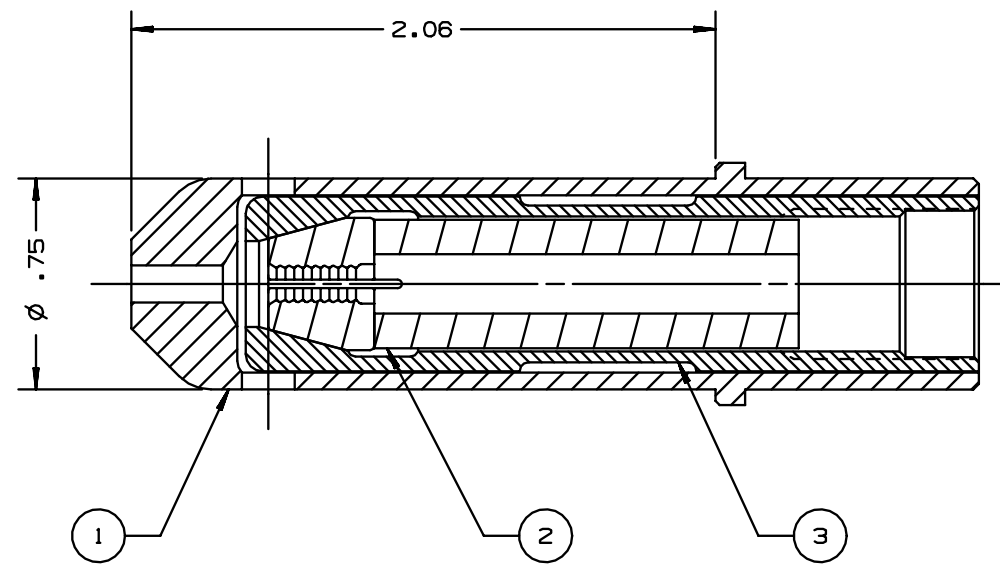
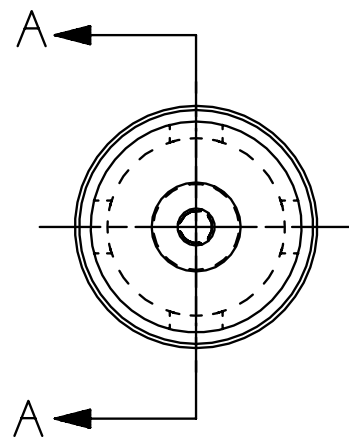


REV	DESCRIPTION	DATE
C	MODELED IN UG	5/31/06



SECTION A-A

118909	1	COLLET	3
118903	1	UNITIZED CHUCK JAWS	2
118905	1	ANVIL	1
PART NO.	QTY	DESCRIPTION	ITEM

HUCK INTERNATIONAL, INC., I.S.D.
1 CORPORATE DR., P.O. BOX 2270
KINGSTON, NEW YORK 12401

NOSE ASSEMBLY -06MGL
NONE-SELF-RELEASING - 210,212,230,2480

DET: MJK CHK: DATE: 5/23/90 SCALE: 2:1

FOC. FAC. B 99-3300